

ROCKFORD

Drive Line

Slip Yoke Assemblies



***Light Duty, Medium Duty, Heavy Duty,
Transmission & C.V.***

MANUFACTURER OF DRIVELINE COMPONENTS
1500 11TH AVENUE ROCKFORD, ILLINOIS 61104
PHONE (815) 962-1411 FAX (815) 965-4857
RockfordDriveLine.com

How to Use This Section

Determine which type of slip yoke you need by referring to the illustrations and descriptions at the top of each page.

1. Determine the series of the yoke. This can also be determined by measuring the bearing diameter **(A)** and snap ring lockup **(B)**.
*Note: Inside snap ring type yokes will show the B dimension followed by (I)
 Outside snap ring type yokes will show the B dimension followed by (O)*
2. Determine the number of teeth **(C)** or type of hole **(C)** on your yoke.
3. Determine the major diameter of the spline **(D)** or bore diameter **(D)** on your yoke.
4. Determine the length of the yoke from the centerline of the u-joint to the end of the yoke **(E)**.

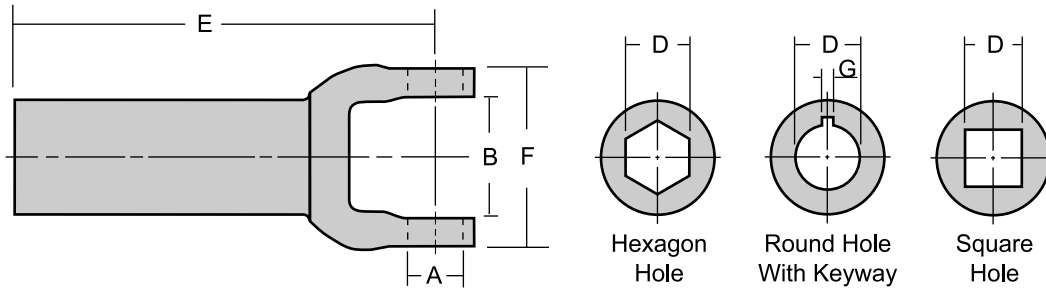
Distance across the ears, keyway widths & dustshield styles are also included for additional identification.

Part series are shown in ***Bold Italics*** for easy lookup - RDL Kit number is also shown to the far right of each series for quick referencing.

| RDL Part Number | A Bearing Diameter | B Snap Ring Lockup - (O/I) | C Number of Teeth | D Major Spline Dia. | E Center Line To End | F Distance Across Ears | Dust Cap Included |
|---------------------------|------------------------------|--------------------------------------|-----------------------------|-------------------------------|--------------------------------|----------------------------------|-------------------|
| <i>1210 Series</i> | | | | | | <i>Use RDL Kit - K443</i> | |
| R2-3-8861 | 1.063 | 2.437 - (O) | 16 | 1.250 | 6.375 | 2.688 | Style 1 |

Notice: The data contained in this catalog has been thoroughly checked for accuracy, however we cannot assume any responsibility for errors, omissions or typographical mistakes that may appear.

SLIP YOKES (P.T.O.)



| RDL Part Number | A Bearing Diameter | B Snap Ring Lockup - (O/I) | C Hole Type | D Bore Diameter | E Center Line To End | F Distance Across Ears | G Keyway Width |
|-----------------|-----------------------|-------------------------------|----------------|--------------------|-------------------------|---------------------------|-------------------|
|-----------------|-----------------------|-------------------------------|----------------|--------------------|-------------------------|---------------------------|-------------------|

1000 Series

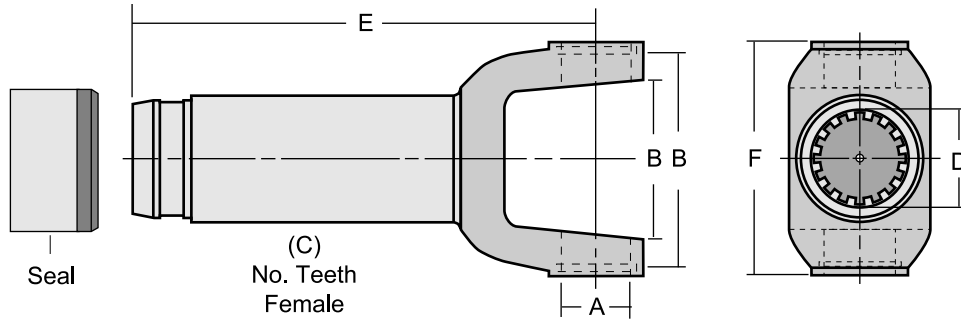
Hexagon, Round or Square Holes

Use RDL Kit - K170

| | | | | | | | |
|-----------|------|-------------|---------|-------|-------|-------|------|
| R10-3-162 | .938 | 1.500 - (I) | Hexagon | .875 | 5.500 | 2.312 | — |
| R10-3-32 | .938 | 1.500 - (I) | Hexagon | 1.125 | 5.500 | 2.312 | — |
| R10-3-13 | .938 | 1.500 - (I) | Round | .750 | 5.500 | 2.312 | .188 |
| R10-3-23 | .938 | 1.500 - (I) | Round | .813 | 5.500 | 2.312 | .250 |
| R10-3-33 | .938 | 1.500 - (I) | Round | .875 | 5.500 | 2.312 | .250 |
| R10-3-83 | .938 | 1.500 - (I) | Round | 1.000 | 5.500 | 2.312 | .250 |
| R10-3-183 | .938 | 1.500 - (I) | Round | 1.125 | 5.500 | 2.312 | .312 |
| R10-3-163 | .938 | 1.500 - (I) | Round | 1.250 | 5.500 | 2.312 | .312 |
| R10-3-12 | .938 | 1.500 - (I) | Square | .750 | 5.500 | 2.312 | — |
| R10-3-22 | .938 | 1.500 - (I) | Square | .875 | 5.500 | 2.312 | — |
| R10-3-122 | .938 | 1.500 - (I) | Square | 1.000 | 5.500 | 2.312 | — |

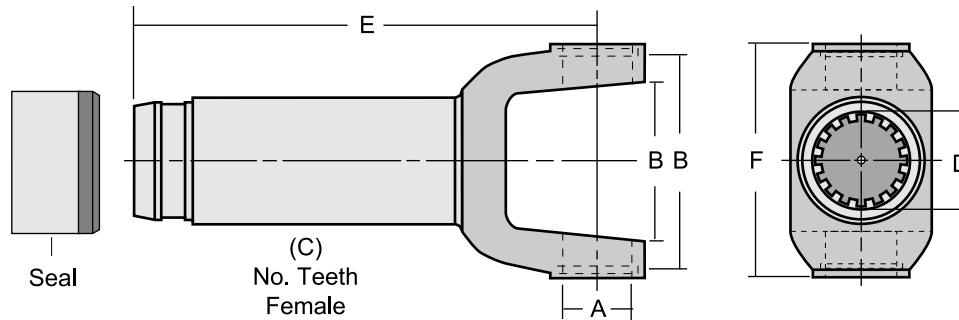


SLIP YOKES (Light & Medium Duty)



| RDL Part Number | A Bearing Diameter | B Snap Ring Lockup - (O/I) | C Number of Teeth | D Major Spline Dia. | E Center Line To End | F Distance Across Ears | Dust Cap Included |
|--------------------|-----------------------|-------------------------------|--------------------------|------------------------|------------------------------------|---------------------------|-------------------|
| 1000 Series | | | Inside Snap Ring | | Use RDL Kit - K170 | | |
| R10-3-81 | .938 | 1.500 - (I) | 10 | 1.125 | 5.500 | 2.312 | — |
| R10-3-18 | .938 | 1.500 - (i) | 16 | 1.250 | 5.500 | 2.312 | Style 1 |
| 1210 Series | | | Outside Snap Ring | | Use RDL Kit - K443 | | |
| R2-3-8861 | 1.063 | 2.437 - (O) | 16 | 1.250 | 6.375 | 2.688 | Style 1 |
| R2-3-8961 | 1.063 | 2.437 - (O) | 16 | 1.250 | 8.000 | 2.688 | Style 1 |
| 1310 Series | | | Outside Snap Ring | | Use RDL Kit - K153 | | |
| R2-3-4441 | 1.063 | 3.217 - (O) | 16 | 1.250 | 6.562 | 3.469 | Style 8 |
| R2-3-128 | 1.063 | 3.217 - (O) | 16 | 1.375 | 5.375 | 3.469 | Style 1 |
| R2-3-7981 | 1.063 | 3.217 - (O) | 16 | 1.375 | 6.000 | 3.469 | Style 4 |
| R2-3-4951 | 1.063 | 3.217 - (O) | 16 | 1.375 | 6.000 | 3.469 | Style 3 |
| R2-3-8001 | 1.063 | 3.217 - (O) | 16 | 1.375 | 6.875 | 3.469 | Style 1 |
| R2-3-5221 | 1.063 | 3.217 - (O) | 16 | 1.375 | 6.875 | 3.469 | Style 3 |
| R2-3-8021 | 1.063 | 3.217 - (O) | 16 | 1.375 | 7.875 | 3.469 | Style 1 |
| R2-3-5821 | 1.063 | 3.217 - (O) | 16 | 1.375 | 7.875 | 3.469 | Style 3 |
| R2-3-7171 | 1.063 | 3.217 - (O) | 31 on 32 | 1.375 | 6.625 | 3.469 | Style 4 |
| 1330 Series | | | Outside Snap Ring | | Use RDL Kit - K213 or K1203 | | |
| R2-3-7961 | 1.063 | 3.622 - (O) | 16 | 1.375 | 6.000 | 3.875 | Style 2 |
| R2-3-8041 | 1.063 | 3.622 - (O) | 16 | 1.375 | 7.500 | 3.875 | Style 1 |
| 7260 Series | | | Inside Snap Ring | | Use RDL Kit - K1306 | | |
| R2-3-10621 | 1.078 | 2.121 - (I) | 16 | 1.375 | 6.875 | 3.000 | Style 1 |

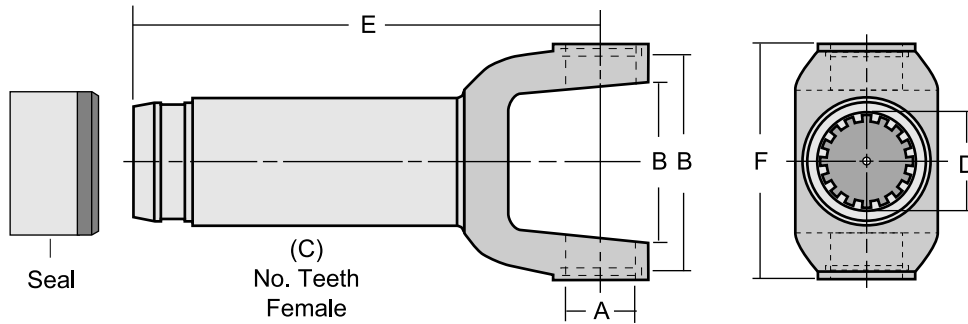
SLIP YOKES (Light & Medium Duty)



| RDL Part Number | A Bearing Diameter | B Snap Ring Lockup - (O/I) | C Number of Teeth | D Major Spline Dia. | E Center Line To End | F Distance Across Ears | Dust Cap Included |
|--------------------------------------|-----------------------|-------------------------------|----------------------|------------------------|----------------------------|---------------------------|-------------------|
| 3R Series | | Inside Snap Ring | | | Use RDL Kit - K3147 | | |
| R3R-3-9170 | 1.125 | 2.556 - (I) | 16 | 1.375 | 7.375 | 3.563 | Style 1 |
| R3R-3-9165 | 1.125 | 2.556 - (I) | 31 on 32 | 1.375 | 7.375 | 3.563 | Style 4 |
| 7290 Series | | Inside Snap Ring | | | Use RDL Kit - K1309 | | |
| R29-3-9170 | 1.126 | 2.620 - (I) | 16 | 1.375 | 7.375 | 3.563 | Style 1 |
| 1350 Series | | Outside Snap Ring | | | Use RDL Kit - K178 | | |
| R3-3-1501 | 1.188 | 3.622 - (O) | 16 | 1.375 | 5.812 | 3.875 | Style 1 |
| R3-3-8021 | 1.188 | 3.622 - (O) | 16 | 1.375 | 7.875 | 3.875 | Style 1 |
| R3-3-2471 | 1.188 | 3.622 - (O) | 31 on 32 | 1.375 | 6.625 | 3.875 | Style 7 |
| R3-3-2931 | 1.188 | 3.622 - (O) | 16 | 1.500 | 3.344 | 3.875 | Style 4 |
| R3-3-598 | 1.188 | 3.622 - (O) | 16 | 1.500 | 5.812 | 3.875 | Style 4 |
| R3-3-1561* | 1.188 | 3.622 - (O) | 16 | 1.500 | 6.719 | 3.875 | Style 4 |
| R3-3-1516 (Superceded by R3-3-1561*) | | | | | | | |
| R3-3-488 | 1.188 | 3.622 - (O) | 16 | 1.500 | 7.312 | 3.875 | Style 4 |
| R3-3-3190 | 1.188 | 3.622 - (O) | 16 | 1.500 | 10.500 | 3.875 | Style 4 |
| 1410 Series | | Outside Snap Ring | | | Use RDL Kit - K160 | | |
| R3-3-2041 | 1.188 | 4.182 - (O) | 16 | 1.500 | 5.250 | 4.438 | Style 4 |
| R3-3-118 | 1.188 | 4.182 - (O) | 16 | 1.500 | 6.500 | 4.438 | Style 4 |
| R3-3-508 | 1.188 | 4.182 - (O) | 16 | 1.500 | 7.812 | 4.438 | Style 4 |
| R3-3-8559* | 1.188 | 4.182 - (O) | 36 | 1.550 | 7.440 | 4.438 | None |

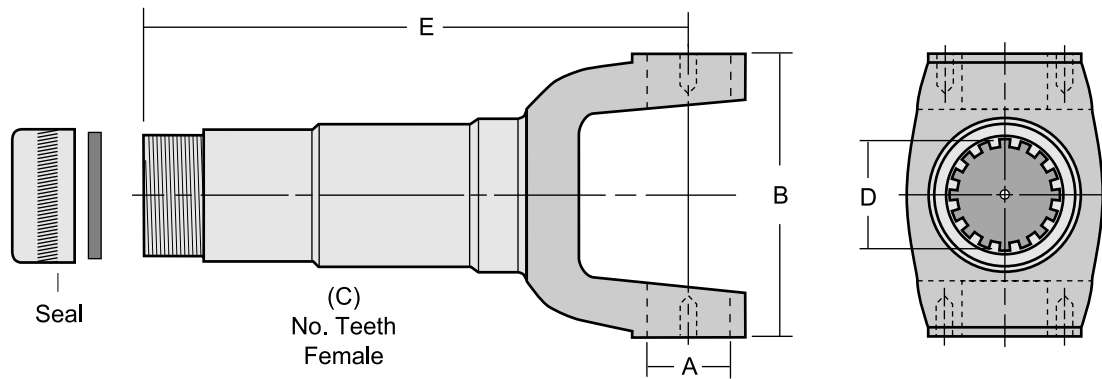
(use 1327-21 boot kit)

SLIP YOKES (Light & Medium Duty)



| RDL Part Number | A Bearing Diameter | B Snap Ring Lockup - (O/I) | C Number of Teeth | D Major Spline Dia. | E Center Line To End | F Distance Across Ears | Dust Cap Included |
|--------------------|-----------------------|-------------------------------|----------------------|------------------------|---------------------------|---------------------------|-------------------|
| 1480 Series | | Outside Snap Ring | | | Use RDL Kit - K188 | | |
| R3-3-1601 | 1.375 | 4.182 - (O) | 16 | 1.562 | 6.812 | 4.438 | Style 4 |
| R3-3-1641 | 1.375 | 4.182 - (O) | 16 | 1.562 | 9.500 | 4.438 | Style 5 |
| 1550 Series | | Outside Snap Ring | | | Use RDL Kit - K155 | | |
| R4-3-1241 | 1.375 | 4.966 - (O) | 16 | 1.750 | 6.875 | 5.250 | Style 5 |

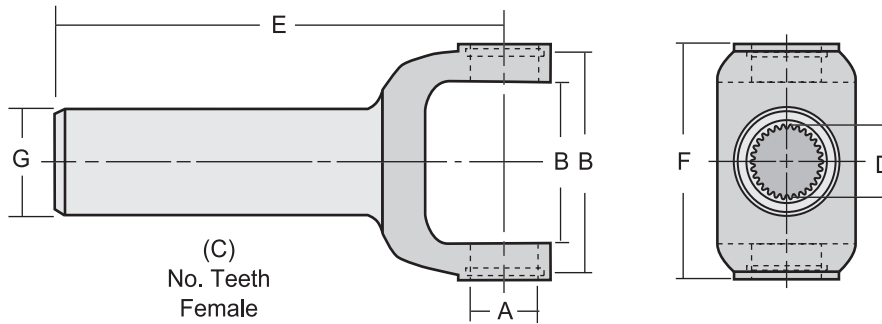
SLIP YOKES (Heavy Duty)



| RDL Part Number | A Bearing Diameter | B Distance Across Ears | C Number of Teeth | D Major Spline Dia. | E Center Line To End | Dust Cap Included |
|--------------------|-----------------------|----------------------------|----------------------|-----------------------------------|-------------------------|-------------------|
| 1610 Series | | Bearing Plate Holes | | Use RDL Kit - K279 or K674 | | |
| R5-3-108 | 1.875 | 5.310 | 16 | 2.000 | 7.812 | Style 5 |
| R5-3-288 | 1.875 | 5.310 | 16 | 2.000 | 9.312 | Style 5 |
| R5-3-2261 | 1.875 | 5.310 | 16 | 2.000 | 10.812 | Style 5 |
| R5-3-478 | 1.875 | 5.310 | 16 | 2.000 | 11.312 | Style 5 |
| 1710 Series | | Bearing Plate Holes | | Use RDL Kit - K280 or K675 | | |
| R6-3-2741 | 1.937 | 6.092 | 16 | 2.500 | 7.469 | Style 5 |
| R6-3-2631 | 1.937 | 6.092 | 16 | 2.500 | 8.844 | Style 5 |
| R6-3-2671 | 1.937 | 6.092 | 16 | 2.500 | 9.594 | Style 5 |
| R6-3-2651 | 1.937 | 6.092 | 16 | 2.500 | 11.688 | Style 5 |
| 1760 Series | | Bearing Plate Holes | | Use RDL Kit - K407 or K677 | | |
| R6.3-3-41 | 1.937 | 7.000 | 16 | 2.500 | 9.250 | Style 5 |
| R6.3-3-21 | 1.937 | 7.000 | 16 | 2.500 | 11.156 | Style 5 |
| 1810 Series | | Bearing Plate Holes | | Use RDL Kit - K281 or K676 | | |
| R6.5-3-1431 | 1.937 | 7.554 | 16 | 3.000 | 8.938 | Style 7 |
| R6.5-3-1351 | 1.937 | 7.554 | 16 | 3.000 | 10.250 | Style 7 |
| R6.5-3-1371 | 1.937 | 7.554 | 16 | 3.000 | 11.875 | Style 7 |



TRANSMISSION SLIP YOKES



| RDL Part Number | A Bearing Diameter | B Snap Ring Lockup - (O/I) | C Number of Teeth | D Major Spline Dia. | E Center Line To End | F Distance Across Ears | G Seal Dia | CB-Counterbore FS-Full Spline |
|-----------------|-----------------------|-------------------------------|----------------------|------------------------|-------------------------|---------------------------|---------------|----------------------------------|
|-----------------|-----------------------|-------------------------------|----------------------|------------------------|-------------------------|---------------------------|---------------|----------------------------------|

1310 Series

Use RDL Kit - K153

| | | | | | | | | |
|-------------|-------|-------------|----------|-------|-------|-------|-------|----------------|
| R2-3-6081 | 1.063 | 3.217 - (O) | 26 on 27 | 1.176 | 5.469 | 3.469 | 1.500 | FS-Full Spline |
| R2-3-12411 | 1.063 | 3.217 - (O) | 26 on 27 | 1.176 | 5.750 | 3.469 | 1.502 | FS-Full Spline |
| R2-3-6081L* | 1.063 | 3.217 - (O) | 26 on 27 | 1.176 | 7.500 | 3.469 | 1.500 | FS-Full Spline |
| R2-3-4871* | 1.063 | 3.217 - (O) | 27 on 28 | 1.220 | 6.000 | 3.469 | 1.500 | FS-Full Spline |
| R2-3-8251* | 1.063 | 3.217 - (O) | 27 on 28 | 1.220 | 6.500 | 3.469 | 1.500 | FS-Full Spline |
| R2-3-3575* | 1.063 | 3.217 - (O) | 29 on 30 | 1.312 | 8.600 | 3.469 | 1.680 | FS-Full Spline |
| R2-3-10431 | 1.063 | 3.217 - (O) | 31 on 32 | 1.378 | 5.500 | 3.469 | 1.886 | FS-Full Spline |
| R2-3-9131* | 1.063 | 3.217 - (O) | 31 on 32 | 1.378 | 7.500 | 3.469 | 1.875 | CB-Counterbore |
| R2-3-9161* | 1.063 | 3.217 - (O) | 31 on 32 | 1.378 | 7.500 | 3.469 | 1.875 | FS-Full Spline |
| R2-3-9101* | 1.063 | 3.217 - (O) | 31 on 32 | 1.378 | 8.060 | 3.469 | 1.875 | FS-Full Spline |

1330 Series

Use RDL Kit - K213 or K1203

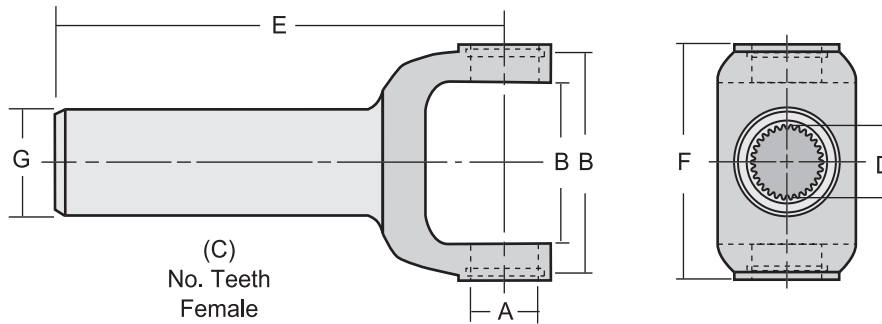
| | | | | | | | | |
|-------------|-------|-------------|----------|-------|-------|-------|-------|-----------------|
| R2-3-12051* | 1.063 | 3.620 - (O) | 26 on 27 | 1.176 | 6.750 | 3.875 | 1.502 | CB-Counterbore |
| R2-3-5981* | 1.063 | 3.620 - (O) | 27 on 28 | 1.220 | 5.969 | 3.875 | 1.500 | FS- Full Spline |
| R2-3-14061* | 1.063 | 3.620 - (O) | 27 on 28 | 1.220 | 6.660 | 3.875 | 1.500 | FS- Full Spline |
| R2-3-6041* | 1.063 | 3.620 - (O) | 30 on 31 | 1.390 | 6.030 | 3.875 | 1.886 | FS- Full Spline |
| R2-3-10201 | 1.063 | 3.620 - (O) | 30 on 31 | 1.390 | 7.000 | 3.875 | 1.886 | FS- Full Spline |
| R2-3-10831 | 1.063 | 3.620 - (O) | 31 on 32 | 1.378 | 6.750 | 3.875 | 1.875 | FS-Full Spline |

7260 Series

Use RDL Kit - K1306

| | | | | | | | | |
|--------------|-------|-------------|----------|-------|-------|-------|-------|----------------|
| R26-3-60326* | 1.078 | 2.121 - (I) | 25 on 26 | 1.156 | 6.875 | 3.000 | 1.558 | FS-Full Spline |
|--------------|-------|-------------|----------|-------|-------|-------|-------|----------------|

TRANSMISSION SLIP YOKES



| RDL Part Number | A Bearing Diameter | B Snap Ring Lockup - (O/I) | C Number of Teeth | D Major Spline Dia. | E Center Line To End | F Distance Across Ears | G Seal Dia | CB-Counterbore FS-Full Spline |
|-----------------|-----------------------|-------------------------------|----------------------|------------------------|-------------------------|---------------------------|---------------|----------------------------------|
|-----------------|-----------------------|-------------------------------|----------------------|------------------------|-------------------------|---------------------------|---------------|----------------------------------|

3R Series

Use RDL Kit - K3147

| | | | | | | | | |
|--------------|-------|-------------|----------|-------|-------|-------|-------|------------------|
| R3R-3-6081 | 1.125 | 2.556 - (I) | 26 on 27 | 1.176 | 5.469 | 3.563 | 1.500 | FS-Full Spline |
| R3R-3-4191* | 1.125 | 2.556 - (I) | 29 on 30 | 1.284 | 8.531 | 3.563 | 1.680 | FS-Full Spline** |
| R3R-3-10831* | 1.125 | 2.556 - (I) | 31 on 32 | 1.377 | 6.760 | 3.563 | 1.885 | FS-Full Spline |
| R3R-3-1642* | 1.125 | 2.556 - (I) | 31 on 32 | 1.377 | 7.875 | 3.563 | 1.885 | FS-Full Spline |
| R3R-3-9131 | 1.125 | 2.556 - (I) | 31 on 32 | 1.391 | 7.500 | 3.563 | 1.875 | CB-Counterbore |
| R3R-3-9161 | 1.125 | 2.556 - (I) | 31 on 32 | 1.391 | 7.500 | 3.563 | 1.875 | FS-Full Spline |
| R3R-3-9101 | 1.125 | 2.556 - (I) | 31 on 32 | 1.391 | 8.063 | 3.563 | 1.875 | FS-Full Spline |

1350 Series

Use RDL Kit - K178

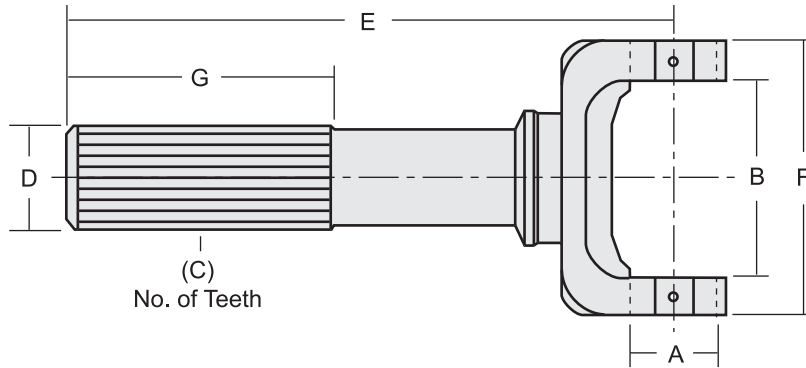
| | | | | | | | | |
|------------|-------|-------------|----------|-------|-------|-------|-------|----------------|
| R3-3-4281* | 1.188 | 3.620 - (O) | 26 on 27 | 1.176 | 6.938 | 3.875 | 1.500 | CB-Counterbore |
| R3-3-5431* | 1.188 | 3.620 - (O) | 30 on 31 | 1.390 | 7.313 | 3.875 | 1.885 | FS-Full Spline |
| R3-3-2431* | 1.188 | 3.620 - (O) | 31 on 32 | 1.378 | 5.500 | 3.875 | 1.886 | CB-Counterbore |
| R3-3-5571 | 1.188 | 3.620 - (O) | 31 on 32 | 1.378 | 6.938 | 3.875 | 1.886 | FS-Full Spline |
| R3-3-5551* | 1.188 | 3.620 - (O) | 31 on 32 | 1.378 | 7.938 | 3.875 | 1.875 | CB-Counterbore |

* New addition to MC0113-3 catalog.

** With Damper



TRANSMISSION SPLINE SHAFT



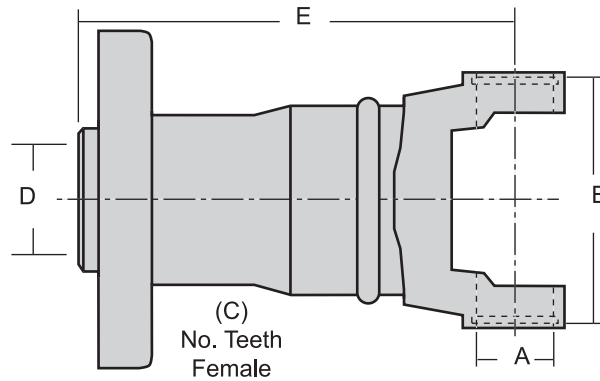
| RDL Part Number | A Bearing Diameter | B Snap Ring Lockup - (O/I) | C Number of Teeth | D Major Spline Dia. | E Center Line To End | F Distance Across Ears | G Spline Length | Boot Kit (Not Included) |
|-----------------|-----------------------|-------------------------------|----------------------|------------------------|-------------------------|---------------------------|--------------------|-------------------------|
|-----------------|-----------------------|-------------------------------|----------------------|------------------------|-------------------------|---------------------------|--------------------|-------------------------|

3R Series

Use RDL Kit - K3147

| | | | | | | | | |
|--------------|-------|-------------|----|-------|--------|-------|-------|---------|
| R3R-82-6885* | 1.125 | 2.556 - (I) | 32 | 1.375 | 7.875 | 3.563 | 3.500 | 2504-21 |
| R3R-82-347* | 1.125 | 2.556 - (I) | 32 | 1.375 | 11.500 | 3.563 | 3.500 | 1077-21 |

TRANSMISSION CAGE & BALL CONVERSION YOKES



| RDL Part Number | A Bearing Diameter | B Snap Ring Lockup - (O/I) | C Number of Teeth | D Major Spline Dia. | E Center Line To End | Dust Shield | Application Notes |
|-----------------|-----------------------|-------------------------------|----------------------|------------------------|-------------------------|-------------|-------------------|
|-----------------|-----------------------|-------------------------------|----------------------|------------------------|-------------------------|-------------|-------------------|

1210 Series

Use RDL Kit - K443

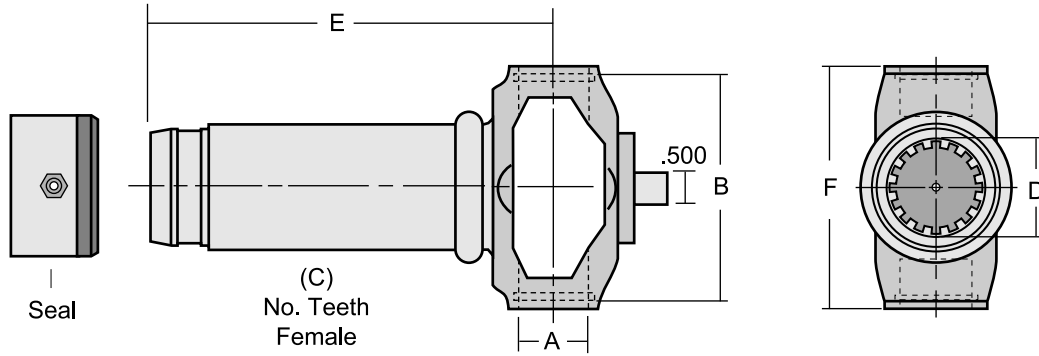
| | | | | | | | |
|-------------|-------|-------------|----------|-------|-------|---------|---------------------------|
| R2-2-3120* | 1.063 | 2.438 - (O) | 16 on 17 | 1.128 | 4.500 | 429-15 | Replace 429-80 CV Joints |
| R2-2-3120A* | 1.063 | 2.438 - (O) | 16 on 17 | 1.128 | 4.500 | 429-15A | Replace 429-80A CV Joints |

1310 Series

Use RDL Kit - K153

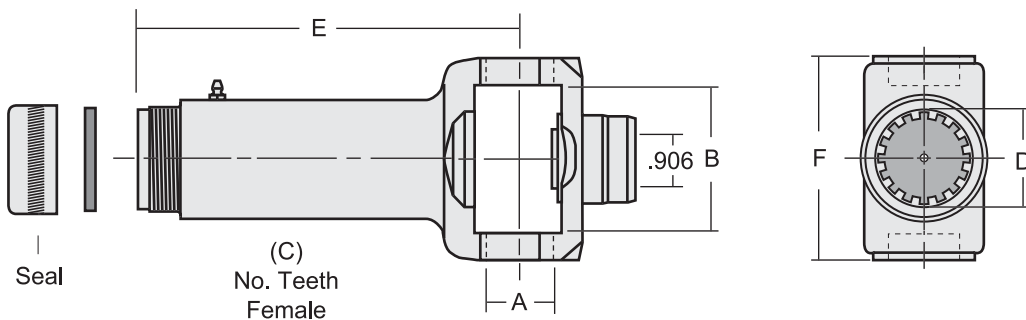
| | | | | | | | |
|-------------|-------|-------------|----|-------|-------|------|--------------------------|
| R2-3-43580* | 1.063 | 3.217 - (O) | 30 | 1.309 | 6.375 | none | Replace 435-80 CV Joints |
|-------------|-------|-------------|----|-------|-------|------|--------------------------|

CV SLIP YOKES (Spicer C.V. Applications)



| RDL Part Number | A Bearing Diameter | B Snap Ring Lockup - (O/I) | C Number of Teeth | D Major Spline Dia. | E Center Line To End | F Distance Across Ears | Dust Cap Number Inc. |
|--------------------|-----------------------|-------------------------------|------------------------------------|------------------------|-------------------------|---------------------------|----------------------|
| 1210 Series | | | Use RDL Kit - K443 | | | | |
| R2-3-3129 | 1.063 | 2.437 - (O) | 16 | 1.250 | 6.375 | 2.688 | Style 2 |
| 1310 Series | | | Use RDL Kit - K153 | | | | |
| R2-3-3130 | 1.063 | 3.217 - (O) | 16 | 1.375 | 7.063 | 3.469 | Style 2 |
| 1330 Series | | | Use RDL Kit - K1203 or K213 | | | | |
| R2-3-3131 | 1.063 | 3.622 - (O) | 16 | 1.375 | 6.438 | 3.875 | Style 2 |
| R2-3-3134 | 1.063 | 3.622 - (O) | 16 | 1.500 | 8.188 | 3.875 | Style 4 |

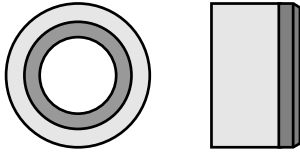
CV SLIP YOKES (Saginaw C.V. Applications)



| RDL Part Number | A Bearing Diameter | B Snap Ring Lockup - (O/I) | C Number of Teeth | D Major Spline Dia. | E Center Line To End | F Distance Across Ears | Dust Cap Number Inc. |
|------------------|-----------------------|-------------------------------|----------------------------|------------------------|-------------------------|---------------------------|----------------------|
| 3R Series | | | Use RDL Kit - K3147 | | | | |
| R3R-3-5499 | 1.125 | 2.556 - (I) | 31 on 32 | 1.375 | 6.625 | 3.500 | Style 4 |

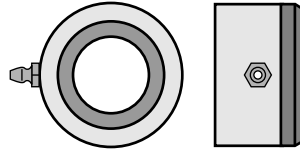
Seal & Boot Kit Designs
(Included With Slip Yoke Assemblies)

Style 1



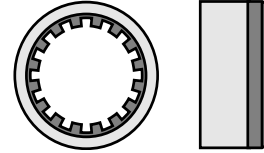
Press-On Seal
(1 Piece)

Style 2



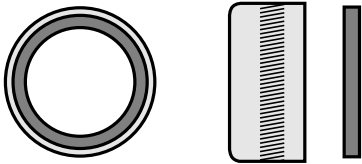
Press-On Seal
With Grease
Fitting
(1 Piece)

Style 3



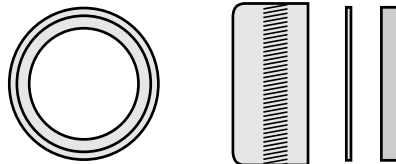
Press-On Seal
With Splined
Rubber
(1 Piece)

Style 4



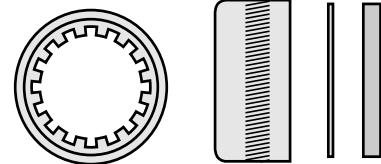
Threaded Sheet
Metal Seal
With Rubber
Gasket
(2 Piece)

Style 5



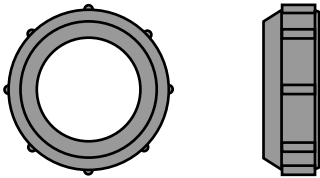
Threaded Sheet
Metal Seal
With Cork
Gasket
(3 Piece)

Style 6



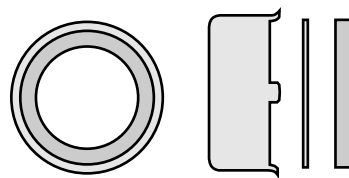
Threaded Sheet
Metal Seal
With Splined
Cork Gasket
(3 Piece)

Style 7



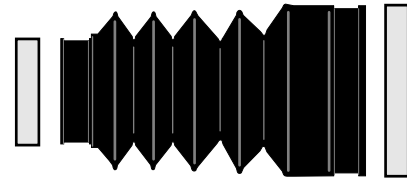
Threaded Rubber
Seal
(1 Piece)

Style 8



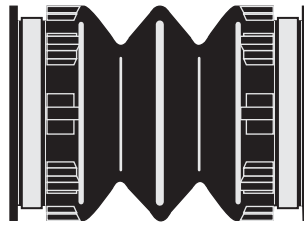
Press-On Sheet
Metal Seal
With Cork Gasket
and Stake Down
Tabs
(3 Piece)

Style 9



Rubber Boot Kit
With Clamps
(3 Piece)

Boot Kit Dimensions



Boot Kits include (1) boot and (2) clamps

| RDL Part | Large Dia. Boot | Small Dia. Boot | Boot Length |
|------------------------|-----------------|-----------------|-------------|
| 1932-21* | 1.656 | 1.125 | 4.813 |
| 4274-10 ⁽¹⁾ | 1.656 | 1.313 | 3.063 |
| 1077-21* | 1.656 | 1.656 | 4.875 |
| 2504-21* | 1.688 | 1.688 | 3.125 |
| 406-21* | 1.813 | 1.500 | 5.125 |
| 1327-21* | 2.156 | 2.156 | 6.500 |
| 424-21 ⁽²⁾ | 2.500 | 1.063 | 4.750 |
| 408-21* | 2.500 | 1.500 | 5.375 |
| 1462-21* | 2.500 | 1.656 | 5.375 |

⁽¹⁾ 4274-10 is a boot only

⁽²⁾ 424-21 Boot Kit includes Boot Flange & End Cap and Grease for High Speed CV Application.

Slip Yoke Seal Dimensions

| RDL Part | Style | Spline Dimensions | Round Inside Diameter | Outside Diameter | Height | Slip Yoke Spline Size | Series |
|-------------|---------|-------------------|-----------------------|------------------|--------|-----------------------|-----------|
| R2-80-194* | Style 1 | ---- | 1.170 | 2.125 | 1.313 | 16 x 1.375 | 1310-1350 |
| R2-80-194Z* | Style 2 | ---- | 1.170 | 2.125 | 1.313 | 16 x 1.375 | 1310-1350 |
| R2-80-195* | Style 3 | 16 x 1.375 | ---- | 2.125 | 1.000 | 16 x 1.375 | 1310-1350 |
| R2-80-196* | Style 1 | ---- | 1.020 | 2.000 | 1.313 | 16 x 1.250 | 1210-1310 |
| R2-80-196Z* | Style 2 | ---- | 1.020 | 2.000 | 1.313 | 16 x 1.250 | 1210-1310 |
| R2-80-D3K* | Style 6 | 16 x 1.500 | ---- | 1.984 | 0.750 | 16 x 1.500 | 1350-1410 |
| R3-80-D3J* | Style 6 | 16 x 1.562 | ---- | 2.188 | 0.750 | 16 x 1.562 | 1480 |
| R3R-80-D2N* | Style 4 | ---- | 1.280 | 1.875 | 0.875 | 16/32 x 1.375 | 3R-1350 |
| R4-80-D4J* | Style 5 | ---- | 1.415 | 2.350 | 0.719 | 16 x 1.750 | 1550 |
| R4-80-D4K* | Style 6 | 16 x 1.750 | ---- | 2.359 | 0.719 | 16 x 1.750 | 1550 |
| R5-86-68* | Style 7 | ---- | 1.620 | 2.630 | 0.915 | 16 x 2.000 | 1610 |
| R6.3-86-18* | Style 7 | ---- | 2.025 | 3.325 | 0.915 | 16 x 2.500 | 1710-1760 |
| R6.5-86-38* | Style 7 | ---- | 2.500 | 3.975 | 0.950 | 16 x 3.000 | 1810 |

Notes:

Notes:



PART NUMBER INTERCHANGE LIST

| MFG. NO. | OUR NO. | MFG. NO. | OUR NO. | MFG. NO. | OUR NO. |
|---------------|------------|---------------------------|-------------|-----------------------------------|------------|
| Neapco | | Neapco (cont.) | | O.E.M. Part Number (cont.) | |
| 10-0312 | R10-3-12 | N3-3-1501KX | R3-3-1501 | 40021077 | 1077-21 |
| 10-0313 | R10-3-13 | N3-3-1502KX | R3-3-8021 | 40021078 | 1077-21 |
| 10-0318 | R10-3-18 | N3-3-1561KX | R3-3-1561 | 40021327 | 1327-21 |
| 10-0322 | R10-3-22 | N3-3-1601KX | R3-3-1601 | 40022504 | 2504-21 |
| 10-0323 | R10-3-23 | N3-3-1641KX | R3-3-1641 | 40024191 | R3R-3-4191 |
| 10-0332 | R10-3-32 | N3-3-2041KX | R3-3-2041 | 40038559 | R3-3-8559 |
| 10-0333 | R10-3-33 | N3-3-2431X | R3-3-2431 | | |
| 10-0381 | R10-3-81 | N3-3-2471KX | R3-3-2471 | Spicer | |
| 10-0383 | R10-3-83 | N3-3-4281X | R3-3-4281 | 10-3-12X | R10-3-12 |
| 10-3122 | R10-3-122 | N3-3-5431X | R3-3-5431 | 10-3-13X | R10-3-13 |
| 10-3162 | R10-3-162 | N3-3-4261X | R3-3-5571 | 10-3-18X | R10-3-18 |
| 10-3163 | R10-3-163 | N3R-3-1642X | R3R-3-1642 | 10-3-22X | R10-3-22 |
| 10-3183 | R10-3-183 | N3R-3-6081X | R3R-3-6081 | 10-3-23X | R10-3-23 |
| 280194 | R2-80-194 | N3R-3-9101X | R3R-3-9101 | 10-3-32X | R10-3-32 |
| 280194-1 | R2-80-194Z | N3R-3-9131X | R3R-3-9131 | 10-3-33X | R10-3-33 |
| 280195 | R2-80-195 | N3R-3-9161X | R3R-3-9161 | 10-3-81X | R10-3-81 |
| 280196 | R2-80-196 | N3R-3-9165KX | R3R-3-9170 | 10-3-83X | R10-3-83 |
| N2-3-128KX | R2-3-128 | N3R-3-9170KX | R3R-3-9165 | 10-3-122X | R10-3-122 |
| N2-3-3575X | R2-3-3575 | N3R-38-5499 | R3R-3-5499 | 10-3-162X | R10-3-162 |
| N2-3-4441KX | R2-3-4441 | N4-3-1241KX | R4-3-1241 | 10-3-163X | R10-3-163 |
| N2-3-4871X | R2-3-4871 | N5-3-288KX | R5-3-288 | 10-3-183X | R10-3-183 |
| N2-3-4951KX | R2-3-4951 | N5-3-2261KX | R5-3-2261 | 2-3-128KX | R2-3-128 |
| N2-3-5221KX | R2-3-5221 | N5-86-68 | R5-86-68 | 2-3-4441KX | R2-3-4441 |
| N2-3-5821KX | R2-3-5821 | N6-3-2651KX | R6-3-2651 | 2-3-4871X | R2-3-4871 |
| N2-3-5981X | R2-3-5981 | N6-3-2671KX | R6-3-2671 | 2-3-4951KX | R2-3-4951 |
| N2-3-6041X | R2-3-6041 | N6.3-3-21KX | R6.3-3-21 | 2-3-5221KX | R2-3-5221 |
| N2-3-6081X | R2-3-6081 | N6.3-3-41KX | R6.3-3-41 | 2-3-5821KX | R2-3-5821 |
| N2-3-7171KX | R2-3-7171 | N6.3-86-18 | R6.3-86-18 | 2-3-5981X | R2-3-5981 |
| N2-3-10201X | R2-3-10201 | N6.5-3-1351KX | R6.5-3-1351 | 2-3-6041X | R2-3-6041 |
| N2-3-7260KX | R2-3-10621 | N6.5-3-1371KX | R6.5-3-1371 | 2-3-6081X | R2-3-6081 |
| N2-3-14061X | R2-3-14061 | N6.5-86-38 | R6.5-86-38 | 2-3-7171KX | R2-3-7171 |
| N2-3-7961KX | R2-3-7961 | N729-3-1631KX | R29-3-9170 | 2-3-7961KX | R2-3-7961 |
| N2-3-7981KX | R2-3-7981 | ND3G | R3R-80-D2N | 2-3-7981KX | R2-3-7981 |
| N2-3-8001KX | R2-3-8001 | ND3K | R2-80-D3K | 2-3-8001KX | R2-3-8001 |
| N2-3-8021KX | R2-3-8021 | ND4J | R4-80-D4J | 2-3-8021KX | R2-3-8021 |
| N2-3-8041KX | R2-3-8041 | ND4K | R4-80-D4K | 2-3-8041KX | R2-3-8041 |
| N2-3-8251X | R2-3-8251 | | | 2-3-8251X | R2-3-8251 |
| N2-3-8861KX | R2-3-8861 | O.E.M. Part Number | | 2-3-8861KX | R2-3-8861 |
| N2-3-8961KX | R2-3-8961 | 7812557 | R3R-3-6081 | 2-3-8961KX | R2-3-8961 |
| N2-3-9101X | R2-3-9101 | 7838655 | R3R-3-9161 | 2-3-10201X | R2-3-10201 |
| N2-3-9131X | R2-3-9131 | 7848637 | R3R-3-10831 | 2-3-10431X | R2-3-10431 |
| N2-3-9161X | R2-3-9161 | 05093388AA | 1327-21 | 2-3-10621KX | R2-3-10621 |
| N2-3-10431X | R2-3-10431 | 05093823AA | 1077-21 | 2-3-10831X | R2-3-10831 |
| N2112504 | 2504-21 | 26010700 | R3-3-2471 | 2-3-12051X | R2-3-12051 |
| N2114274 | 4274-10 | 26019634 | R3-3-4281 | 2-3-12411X | R2-3-12411 |
| N3-3-118KX | R3-3-118 | 26045229 | R3-3-5571 | 2-3-14061X | R2-3-14061 |
| N3-3-488KX | R3-3-488 | 40006885 | R3R-82-6885 | 211121X | R2-80-194Z |
| N3-3-508KX | R3-3-508 | 40020347 | R3R-82-347 | 211256X | R2-80-196 |
| N3-3-598KX | R3-3-598 | | | | |



PART NUMBER INTERCHANGE LIST

| MFG. NO. | OUR NO. | MFG. NO. | OUR NO. | MFG. NO. | OUR NO. |
|---|-------------|--------------------------------------|-------------|----------|---------|
| Spicer (cont.) | | S & S Truck Parts (cont.) | | | |
| 211344X | 408-21 | S-8112 | R2-3-128 | | |
| 211462X | 1462-21 | S-8479 | R6.3-3-21 | | |
| 211932X | 1932-21 | S-8480 | R6.3-3-41 | | |
| 231603..... | R2-80-194 | S-8525 | R6.5-3-1351 | | |
| 3-3-118KX..... | R3-3-118 | S-8628 | R10-3-32 | | |
| 3-3-488KX | R3-3-488 | S-8629 | R10-3-83 | | |
| 3-3-508KX | R3-3-508 | S-8642 | R2-3-5221 | | |
| 3-3-598KX | R3-3-598 | S-8643 | R2-3-8041 | | |
| 3-3-1501KX | R3-3-1501 | S-8644 | R3-3-1601 | | |
| 3-3-1561KX | R3-3-1561 | S-9672 | R3-3-1501 | | |
| 3-3-1601KX | R3-3-1601 | S-9894 | R3-3-508 | | |
| 3-3-1641KX | R3-3-1641 | S-9895 | R2-3-8001 | | |
| 3-3-2041KX | R3-3-2041 | S-9980 | R2-3-5821 | | |
| 3-3-2431X..... | R3-3-2431 | S-9981 | R2-3-8021 | | |
| 3-3-2471KX | R3-3-2471 | S-13212..... | R6-3-2741 | | |
| 3-3-2931KX | R3-3-2931 | S-13423..... | R5-3-288 | | |
| 3-3-4281X..... | R3-3-4281 | S-13676..... | R10-3-122 | | |
| 3-3-5431X..... | R3-3-5431 | S-13677..... | R10-3-162 | | |
| 3-3-5551X..... | R3-3-5551 | S-13701..... | R2-3-4951 | | |
| 3-3-5571X..... | R3-3-5571 | S-13702..... | R3-3-598 | | |
| 4-3-1241KX | R4-3-1241 | S-15273..... | R10-3-33 | | |
| 5-3-108KX | R5-3-108 | S-19806..... | R2-3-7981 | | |
| 5-3-288KX | R5-3-288 | S-A177..... | R4-3-1241 | | |
| 5-3-478KX | R5-3-478 | S-A583..... | R3-3-1641 | | |
| 5-3-2261KX | R5-3-2261 | S-A970..... | R3-3-488 | | |
| 5-86-68 | R5-86-68 | S-B085..... | R3R-3-9165 | | |
| 6-3-2631KX | R6-3-2631 | S-B604..... | R2-3-4441 | | |
| 6-3-2651KX | R6-3-2651 | S-B605..... | R2-3-6081 | | |
| 6-3-2671KX | R6-3-2671 | S-B611..... | R3-3-2041 | | |
| 6-3-2741KX | R6-3-2741 | S-B990..... | R3R-3-9170 | | |
| 6.3-3-21KX | R6.3-3-21 | S-C451 | R2-80-194Z | | |
| 6.3-3-41KX | R6.3-3-41 | S-D763 | R10-3-18 | | |
| 6.3-86-18 | R6.3-86-18 | S-D764 | R10-3-22 | | |
| 6.5-3-1351KX | R6.5-3-1351 | S-D765 | R10-3-163 | | |
| 6.5-3-1371KX | R6.5-3-1371 | S-E066..... | R2-3-10621 | | |
| 6.5-3-1431KX | R6.5-3-1431 | S-E454..... | R3-3-118 | | |
| 6.5-86-38 | R6.5-86-38 | | | | |
| D2N | R3R-80-D2N | | | | |
| D3K | R2-80-D3K | | | | |
| D3J | R3-80-D3J | | | | |
| D4K | R4-80-D4K | | | | |
| D4J | R4-80-D4J | | | | |
| S & S Truck Parts (New Star) | | | | | |
| S-5569..... | R6.5-3-1371 | | | | |
| S-5665..... | R5-3-2261 | | | | |
| S-7432..... | R6-3-2651 | | | | |
| S-7433..... | R6-3-2671 | | | | |

| PART NUMBER | PG | PART NUMBER | PG |
|-------------|----|--------------|----|
| 1077-21* | 13 | R2-3-8961 | 4 |
| 1327-21* | 13 | R2-3-9101* | 8 |
| 1462-21* | 13 | R2-3-9131* | 8 |
| 1932-21* | 13 | R2-3-9161* | 8 |
| 2504-21* | 13 | R2-3-10201 | 8 |
| 406-21* | 13 | R2-3-10431 | 8 |
| 408-21* | 13 | R2-3-10621 | 4 |
| 424-21* | 13 | R2-3-10831 | 8 |
| 4274-10* | 13 | R2-3-12051* | 8 |
| R10-3-12 | 3 | R2-3-12411 | 8 |
| R10-3-13 | 3 | R2-3-14061* | 8 |
| R10-3-18 | 4 | R2-3-43580* | 10 |
| R10-3-22 | 3 | R2-80-194* | 13 |
| R10-3-23 | 3 | R2-80-194Z* | 13 |
| R10-3-32 | 3 | R2-80-195* | 13 |
| R10-3-33 | 3 | R2-80-196* | 13 |
| R10-3-81 | 4 | R2-80-196Z* | 13 |
| R10-3-83 | 3 | R2-80-D3K* | 13 |
| R10-3-122 | 3 | R26-3-60326* | 8 |
| R10-3-162 | 3 | R29-3-9170 | 5 |
| R10-3-163 | 3 | R3-3-118 | 5 |
| R10-3-183 | 3 | R3-3-488 | 5 |
| R2-2-3120* | 10 | R3-3-508 | 5 |
| R2-2-3120A* | 10 | R3-3-598 | 5 |
| R2-3-128 | 4 | R3-3-1501 | 5 |
| R2-3-3129 | 11 | R3-3-1516 | 5 |
| R2-3-3130 | 11 | R3-3-1601 | 6 |
| R2-3-3131 | 11 | R3-3-1641 | 6 |
| R2-3-3134 | 11 | R3-3-2041 | 5 |
| R2-3-3575* | 8 | R3-3-2471 | 5 |
| R2-3-4441 | 4 | R3-3-2431* | 9 |
| R2-3-4871* | 8 | R3-3-2931 | 5 |
| R2-3-4951 | 4 | R3-3-3190 | 5 |
| R2-3-5221 | 4 | R3-3-4281* | 9 |
| R2-3-5821 | 4 | R3-3-5431* | 9 |
| R2-3-5981* | 8 | R3-3-5551* | 9 |
| R2-3-6041* | 8 | R3-3-5571 | 9 |
| R2-3-6081 | 8 | R3-3-8021 | 5 |
| R2-3-6081L* | 8 | R3-3-8559* | 5 |
| R2-3-7171 | 4 | R3-80-D3J* | 13 |
| R2-3-7961 | 4 | R3R-3-1642* | 9 |
| R2-3-7981 | 4 | R3R-3-5499 | 11 |
| R2-3-8001 | 4 | R3R-3-6081 | 9 |
| R2-3-8021 | 4 | R3R-3-9101 | 9 |
| R2-3-8041 | 4 | R3R-3-9131 | 9 |
| R2-3-8251* | 8 | R3R-3-9161 | 9 |
| R2-3-8861 | 4 | R3R-3-9165 | 5 |

PART NUMBER INDEX



| PART NUMBER | PG | PART NUMBER | PG |
|--------------------|----|-------------|----|
| R3R-3-9170 | 5 | | |
| R3R-3-10831* | 9 | | |
| R3R-80-D2N* | 13 | | |
| R3R-82-347* | 13 | | |
| R3R-82-6885* | 10 | | |
| R4-3-1241 | 6 | | |
| R4-80-D4J* | 13 | | |
| R4-80-D4K* | 13 | | |
| R5-3-108 | 7 | | |
| R5-3-288 | 7 | | |
| R5-3-478 | 7 | | |
| R5-3-2261 | 7 | | |
| R5-86-68* | 13 | | |
| R6-3-2631 | 7 | | |
| R6-3-2651 | 7 | | |
| R6-3-2671 | 7 | | |
| R6-3-2741 | 7 | | |
| R6.3-3-21 | 7 | | |
| R6.3-3-41 | 7 | | |
| R6.3-86-18* | 13 | | |
| R6.5-3-1351 | 7 | | |
| R6.5-3-1371 | 7 | | |
| R6.5-3-1431 | 7 | | |
| R6.5-86-38* | 13 | | |

MANUFACTURER OF DRIVELINE COMPONENTS
1500 11TH AVENUE ROCKFORD, ILLINOIS 61104
PHONE (815) 962-1411 FAX (815) 965-4857
RockfordDriveLine.com