



Catalog No. 4x4QR 2015

Weatherly No. 090

2015

**4x4**

## ***Quick Reference Guide***

***Double Cardan CV Head Assemblies &  
Unwelded Driveshaft Kits***



***Innovative Drivetrain Solutions®***



## **GOLD** Universal Joints

### **Neapco® Premium Quality Universal Joints**

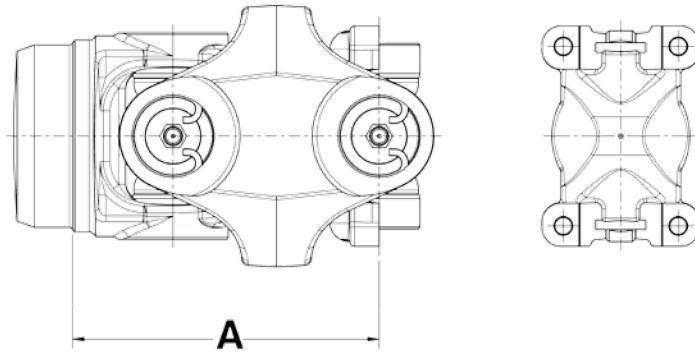
- 1310 - 1550 Universal Joint Series
- Lubricated for Life - High Performance Sealing System
- Meets OEM Performance Standards
- Covered by Neapco's "Extended Warranty"
- Backed by Neapco's Superior Customer Service

# TABLE OF CONTENTS

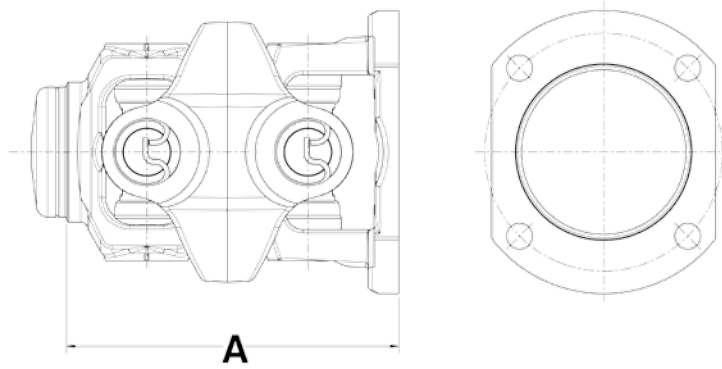
<b><i>Section</i></b>	<b><i>Page Number</i></b>
<b><i>NEAPCO Premium Gold Universal Joints</i></b>	Inside Front Cover
<b><i>Double Cardan CV Assemblies</i></b>	2-5
<b><i>Unwelded Driveshaft Kits</i></b>	6-9
<b><i>NEAPCO eCatalog</i></b>	Inside Back Cover

# 4x4 Quick Reference

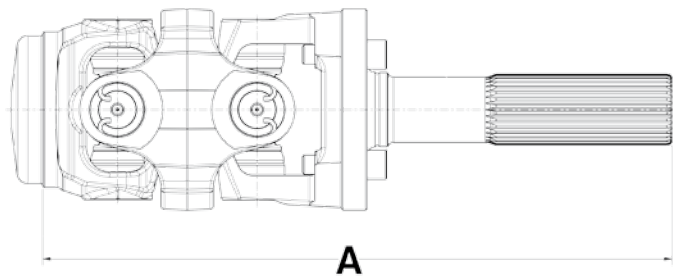
## DOUBLE CARDAN C.V. HEAD ASSEMBLY - DIAGRAMS



Half Round



Flange



Flange Stub

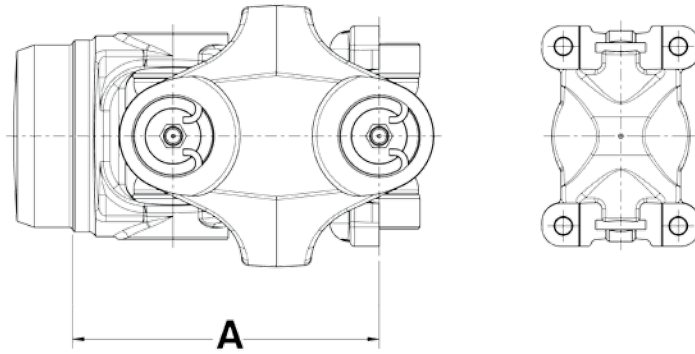
## 4x4 Quick Reference DOUBLE CARDAN C.V. HEAD ASSEMBLY

DL Series	Double Cardan CV Head Style	Tubing Dia. And Wall	Flange Pilot Dia.	Flange Bolt Circle	Bolt Hole Spacing Height	A Overall Length	Joint Angle	Common Applications	Part Number
<b>1310 Series</b>									
1310	Flange	2.000 X.120	2.00	3.50	—	5.75	26	Ford - Front	<b>N913877</b>
1310	Flange	2.000 X.120	2.00	3.50	—	5.75	26	Ford - Front	<b>N913877G*</b>
1310	Flange	2.500 X.083	2.00	3.50	—	5.75	26	Ford - Front	<b>N919279</b>
1310	Flange	2.500 X.083	2.00	3.50	—	5.75	26	Ford - Front	<b>N919279G*</b>
1310	Flange Stub	2.000 X.120	2.00	3.00	—	12.12	26	GM - Front	<b>N913601</b>
1310	Flange Stub	2.000 X.120	2.00	3.00	—	12.12	26	GM - Front	<b>N913601G*</b>
1310	Flange Stub	3.000 X.083	2.00	3.00	—	12.12	26	GM - Front	<b>N913600</b>
1310	Half Round	2.000 X.120	—	—	2.34	4.12	26	Jeep	<b>N912777</b>
1310	Half Round	2.000 X.120	—	—	2.34	4.12	26	Jeep	<b>N912777G*</b>
1310	Half Round	2.500 X.083	—	—	2.34	4.12	26	Dodge, GM, Jeep	<b>N912747</b>
1310	Half Round	2.500 X.083	—	—	2.34	4.12	26	Dodge, GM, Jeep	<b>N912747G*</b>
1310	Half Round	3.000 X.083	—	—	2.34	4.12	26	Dodge, GM, Jeep	<b>N912937</b>
1310	Half Round	3.000 X.083	—	—	2.34	4.12	26	Dodge, GM, Jeep	<b>N912937G*</b>
<b>1330 Series</b>									
1330	Half Round	2.000 X.120	—	—	2.88	4.12	18	Dodge, Ford - Front	<b>N910810</b>
1330	Half Round	2.500 X.083	—	—	2.88	4.12	18	Dodge, Ford - Front	<b>N910811</b>
1330	Half Round	2.500 X.083	—	—	2.88	4.12	18	Dodge, Ford - Front	<b>N910811G*</b>
1330	Half Round	3.000 X.065	—	—	2.88	4.19	18	Dodge, Ford - Front	<b>N910812</b>

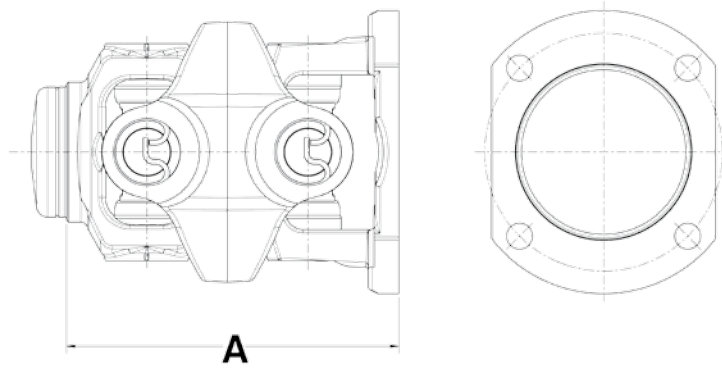
**\* Part numbers with G suffix have Gold Series lube-for-life universal joints.**

# 4x4 Quick Reference

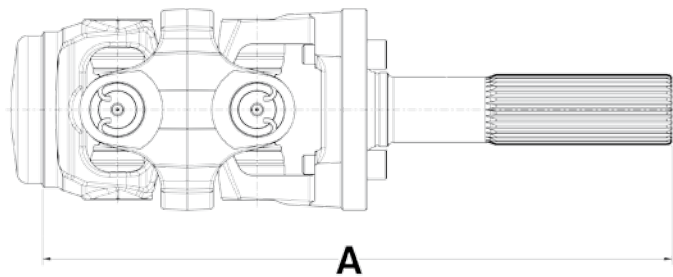
## DOUBLE CARDAN C.V. HEAD ASSEMBLY - DIAGRAMS



Half Round



Flange



Flange Stub

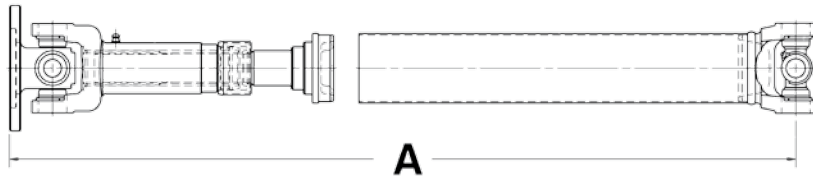
## 4x4 Quick Reference DOUBLE CARDAN C.V. HEAD ASSEMBLY (Cont'd)

DL Series	Double Cardan CV Head Style	Tubing Dia. And Wall	Flange Pilot Dia.	Flange Bolt Circle	Bolt Hole Spacing Height	A		Common Applications	Part Number
						Overall Length	Joint Angle		
<b>1350 Series</b>									
1350	Flange	2.000 X.120	2.00	4.25	—	5.94	32	Ford - Front	N921048G*
1350	Flange	2.000 X.120	3.12	4.25	—	5.94	32	Dodge, GM	N921049
1350	Flange	2.000 X.120	3.12	4.25	—	5.94	32	Dodge, GM	N921049G*
1350	Flange	2.500 X.095	3.12	4.25	—	5.94	32	Dodge - Front	N921050
1350	Flange	2.500 X.095	3.12	4.25	—	5.94	32	Dodge - Front	N921050G*
1350	Flange	2.500 X.095	2.16	3.94	—	5.94	32	Jeep - Front	N921056
1350	Flange	2.500 X.095	2.16	3.94	—	5.94	32	Jeep - Front	N921056G*
1350	Flange	2.750 X.083	2.00	4.25	—	5.97	32	Ford - Front	N921052
1350	Flange	2.750 X.083	2.00	4.25	—	5.97	32	Ford - Front	N921052G*
1350	Flange	3.000 X.083	2.00	4.25	—	5.97	32	Ford - Front	N921053
1350	Flange	3.000 X.083	2.00	4.25	—	5.97	32	Ford - Front	N921053G*
1350	Flange	3.500 X.083	2.68	4.25	—	6.00	32	Ford - Rear	N921054
1350	Flange	3.500 X.083	2.68	4.25	—	6.00	32	Ford - Rear	N921054G*
<b>1410 Series</b>									
1410	Flange	2.500 X.120	3.12	4.25	—	7.32	22	Ram - Front	N924141G*

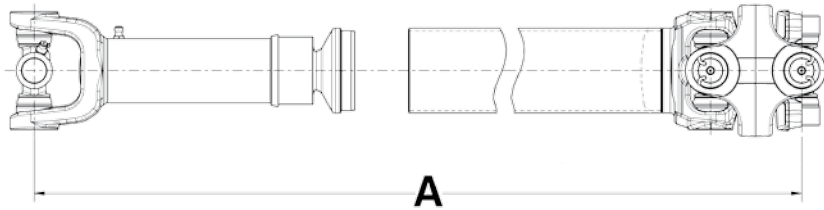
\* Part numbers with G suffix have Gold Series lube-for-life universal joints.

# 4x4 Quick Reference

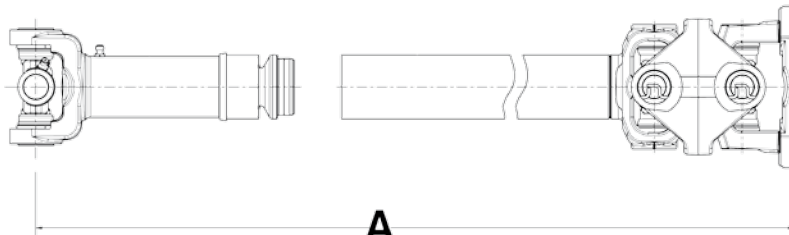
## DRIVE SHAFT - DIAGRAMS



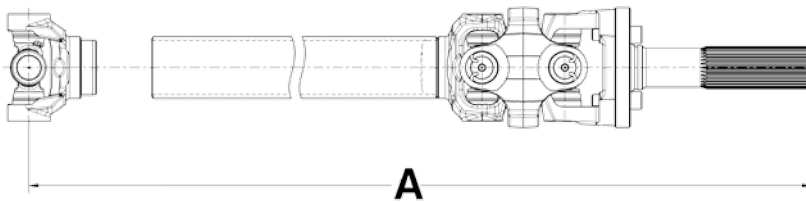
Type 4



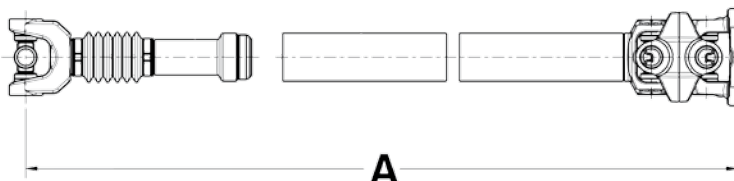
Type 7



Type 8



Type 9



Type 14



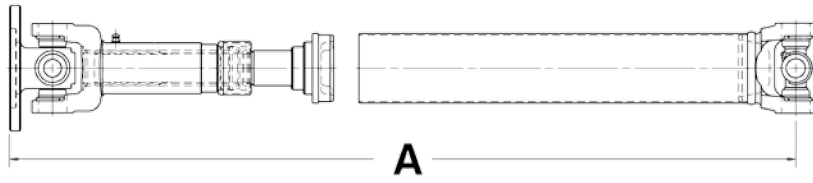
## 4x4 Quick Reference UNWELDED DRIVE SHAFT KITS

DL Series	Driveshaft Style	Tube Size	A Maximum Extended Length	A Compressed Length	Double Cardan CV Head	Universal Joint	Part Number
<b>1310 Series</b>							
1310	Unwelded CV-7	2.000 X.120	45.94	42.84	N912777	1-0153/ 1-0154	<b>N909365-2600</b>
1310	Unwelded CV-7	2.500 X.083	48.32	44.19	N912747	1-0153/ 1-0154	<b>N909363-2600</b>
1310	Unwelded CV-7	2.500 X.083	48.32	44.19	N912747G*	1-0153G	<b>N909363G-2600</b>
<b>1310/1350 Series</b>							
1310/ 1350	Unwelded CV-8	2.000 X.120	37.38	34.28	N921049	1-0153/ 2-0052	<b>S91397-2000</b>
<b>1330 Series</b>							
1330	Unwelded CV-7	2.500 X.083	42.91	38.75	N910811	2-4900/ 2-4801	<b>N911818-2600</b>
<b>1330/1350 Series</b>							
1330/ 1350	Unwelded CV-8	2.500 X.095	36.02	33.35	N921056	2-4800/ 2-0052	<b>N921056X-2000</b>
1330/ 1350	Unwelded CV-8	2.500 X.095	38.06	35.18	N921050	2-4800/ 2-0052	<b>N921050-2000</b>
<b>1350 Series</b>							
1350	Unwelded CV-14	2.50 X.095	36.95	35.45	N921050G*	2-0053G	<b>N921050G-2010</b>
1350	Unwelded CV-8	2.50 X.095	38.06	35.18	N921050	2-0053/ 2-0052	<b>N921050-2007</b>
1350	Unwelded CV-8	2.750 X.083	48.34	44.5	N921052	2-0053/ 2-0052	<b>N921052-3000</b>
1350	Unwelded CV-8	2.750 X.083	48.34	44.5	N921052G*	2-0053G	<b>N921052G-3000</b>
1350	Unwelded CV-8	3.500 X.083	66.16	62.91	N921054	2-0053/ 2-0052	<b>N921054-4800</b>
<b>1410 Series</b>							
1410	Unwelded CV-14	2.50 X.120	37.55	36.05	N924141G*	2-0054G	<b>N924141G-2013</b>
<b>1410/1350 Series</b>							
1410/ 1350	Unwelded CV-8	3.500 X.083	66.7	63.26	N921054	2-0054/ 2-0052	<b>N921054-4801</b>

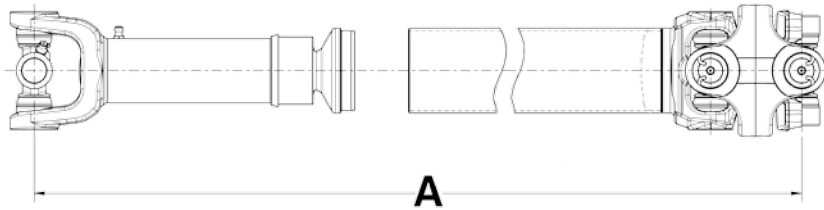
\* Part numbers with G suffix have Gold Series lube-for-life universal joints.

# 4x4 Quick Reference

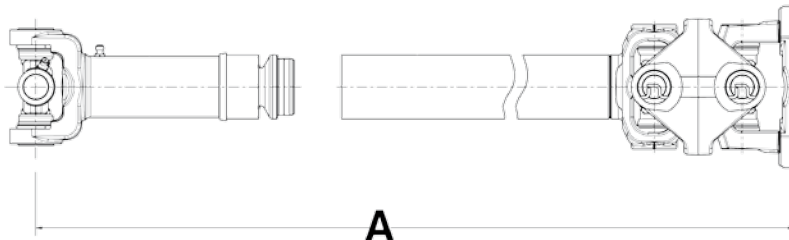
## DRIVE SHAFT - DIAGRAMS



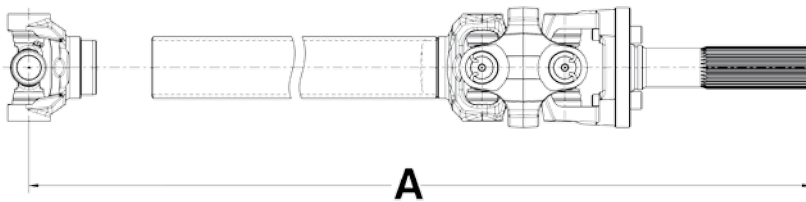
Type 4



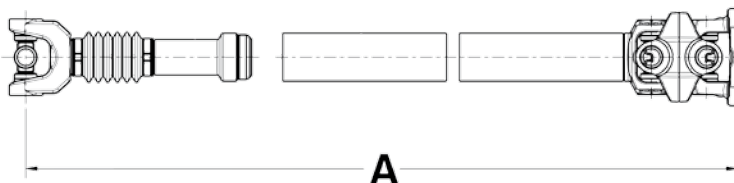
Type 7



Type 8



Type 9



Type 14

## 4x4 Quick Reference UNWELDED DRIVE SHAFT KITS (Cont'd)

DL Series	Driveshaft Style	Tube Size	A Maximum Extended Length	A Compressed Length	Double Cardan CV Head	Universal Joint	Part Number
<b>3R Series</b>							
3R	Unwelded-4	2.750 X.065	32.56	29.44	—	2-3011	<b>S91397-2003</b>
<b>3R/1310 Series</b>							
3R/ 1310	Unwelded-9	2.000 X.120	43.81	—	N913601	3-3130/ 1-0154	<b>N131138-3000</b>
<b>3R/1350 Series</b>							
3R/ 1350	Unwelded CV-8	2.500 X.095	37.94	35.44	N921050	2-3011/ 2-0052	<b>N921050-2003</b>
<b>7260/1350 Series</b>							
7260/ 1350	Unwelded CV-8	2.000 X.120	37.38	33.95	N921049	1-6301/ 2-0052	<b>S91397-2001</b>
<b>7290/1350 Series</b>							
7290/ 1350	Unwelded CV-8	2.000 X.120	37.06	34.12	N921049	2-1175/ 2-0052	<b>S91397-2002</b>





## 4x4 Quick Reference

NOTES



# eCatalog

The Neapco enhanced electronic catalog has been created using the latest cloud based technologies using the AAIA (Automotive Aftermarket Industry Association) ACES & PIES Standards.

For more information please go to: <http://www.aftermarket.org/technology/aces.aspx>.

Navigation to the eCatalog can be obtained by simply going to Neapco.com <http://www.neapco.com/>, selecting the Aftermarket Site, then selecting Catalogs from the tab selection.

Clicking on the “**Visit the Neapco eCatalog**” will open a new browser window and present three options:

- ***Search by Part #*** (*Neapco, OEM, or Interchange*)
- ***Search by Vehicle Application Lookup*** (*Make, Year, Model*)
- ***Search by Product Lookup*** (*Part Type*)

Since electronic catalogs are not bound by the format constraints of paper, it's important to think of these as product groupings. Specifically:

- **Application Look-Up** – Parts having specific Y/M/M fitment information.
- **Non-Application Look-Up** - Full specifications & interchange.

**Updates** – Possibly the single biggest benefit of electronic lookup is that it has the capability of real time updates. What is displayed in the Neapco eCatalog is the exact same data that is being authored in REAL Time.

***What does that mean to the end user?*** When we add, change, or discontinue, a part number it changes instantly in the Neapco eCatalog. While print is not dead, those using print face a definite business disadvantage from those who use electronic information. Making the transition to the electronic information age is something we encourage everyone to consider.

**Featured Products** - This screen will preview the latest and most innovative products offered by Neapco. Clicking on the link in one of the rotating products will display; Image; Buyers Guide; Specifications; and Interchange Information. In addition where available, Product Instructions, and Product Brochures may also be listed.



Neapco Components, LLC  
Box 399, 740 Queen Street  
Pottstown, PA 19464-0399

610-323-6000

[www.neapco.com](http://www.neapco.com)



*Innovative Drivetrain Solutions<sup>®</sup>*