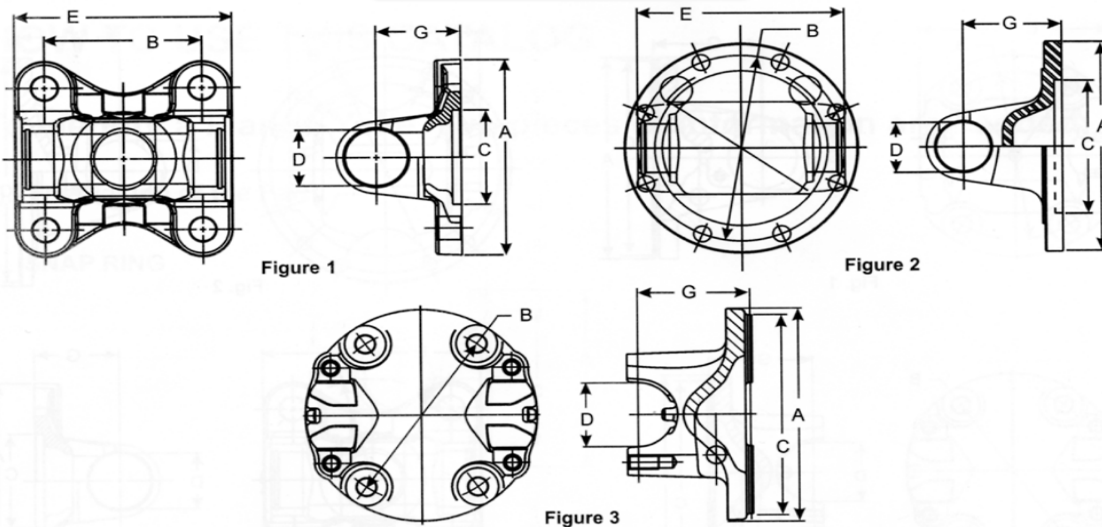
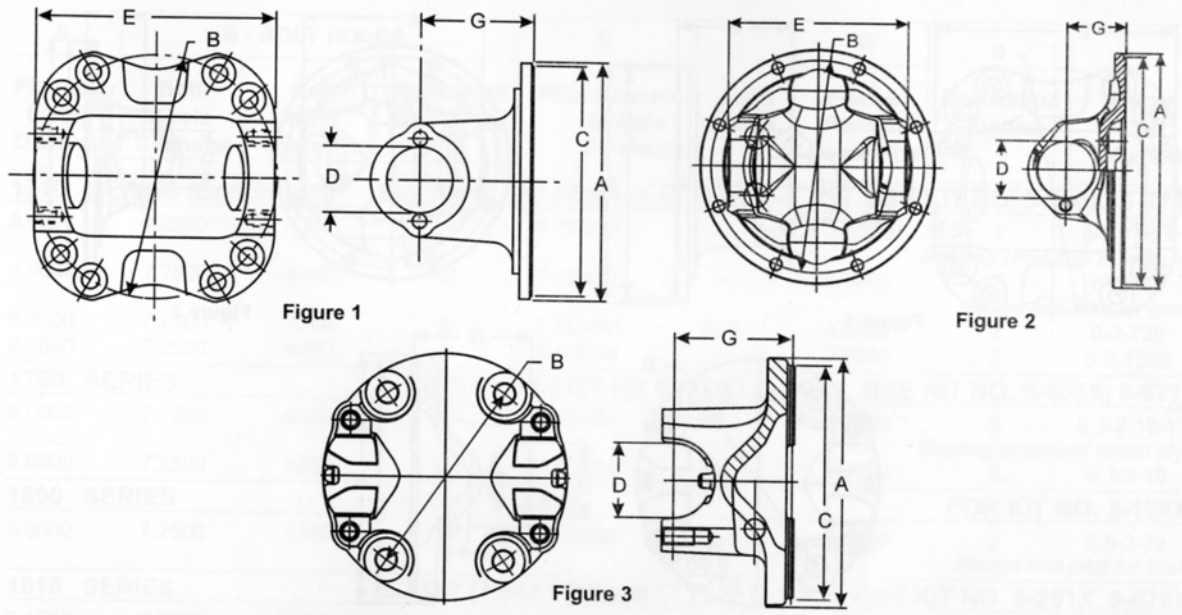


Flange Yokes



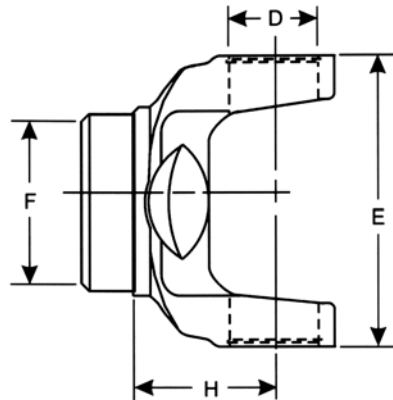
Flange or Swing Dia.	Bolt Circle Dia.	Bolt Hole Dia.	Number of Bolt Holes	Pilot Diameter M-Male F-Female	Joint Angle	Flange Face to Centerline	Part Number
1100 Series							
3.375	2.750	0.312	4	2.25M	18	1.188	1-2-39QG
1310 Series							
3.875	3.125	0.375	4	2.375M	20	1.375	2-2-329QG
4.625	3.750	0.438	4	2.750M	20	1.375	2-2-479QG
4.500	3.500	0.500	4	2.000F	-	1.650	2-2-939QG
1350 Series							
4.625	3.750	0.438	4	2.750M	20	1.562	3-2-119QG
1410 Series							
4.625	3.750	0.438	4	2.750M	22	1.688	3-2-159QG
5.875	4.750	0.500	4	3.750M	30	2.000	3-2-429QG
1480 Series							
6.812	4.750	0.500	4	3.750M	20	2.000	3-2-479QG
1550 Series							
5.774	4.750	0.512	4	3.750M	22	2.000	4-2-669QG

Flange Yokes



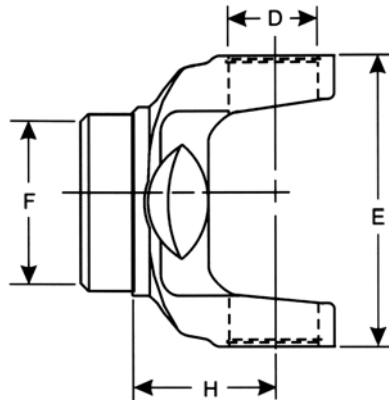
Flange or Swing Dia.	Bolt Circle Dia.	Bolt Hole Dia.	Number of Bolt Holes	Pilot Diameter M-Male F-Female	Joint Angle	Flange Face to Centerline	Part Number
1610 Series							
6.875	6.125	0.375	8	6.625M	22	2.750	5-2-279QG
1710 Series							
8.000	7.250	0.375	8	7.750M	22	3.000	6-2-749QG
1810 Series							
8.000	7.250	0.438	12	7.750M	30	3.375	6.5-2-329QG

Weld Yokes



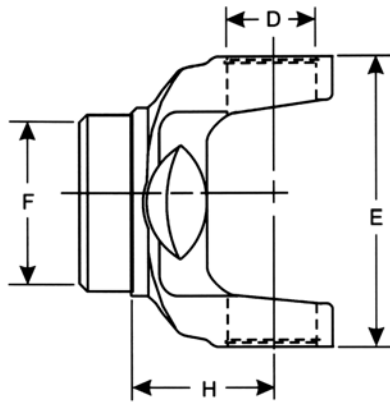
Series	For Use with Tubing Diameter and Wall	Butt Diameter	Centerline to point of weld	Angle	Used in Tube Yoke & Tube Assembly	Part No.
1310 Series E-3.469 D-1.062						
1310	2.75 x .065W	2.625	1.688	21.5	2-27-5	2-28-307QG
1310	3 x .065W	2.875	1.688	18	2-27-6	2-28-327QG
1310	2.00 x .0830W	1.844	1.69	-	2-27-7	2-28-357QG
1310	2.50 x .083W	2.344	1.844	30	2-27-9	2-28-367QG
1310	3.5 x .065W	3.375	1.688	21.5	2-27-10	2-28-397QG
1310	3.5 x .083W	3.344	1.688	-	2-27-10	2-28-427QG
1310	3.00 x .083	2.844	1.688	-	2-27-24	2-28-437QG
1310	2.00 x .12W	1.766	1.688	22	-	2-28-1757QG
1330 Series E-3.875 D-1.062						
1330	3 x .065	2.875	1.719	25	-	2-28-1177QG
1330	3 x .083	1.944	1.719	25	-	2-28-1697QG
1350 Series E-3.875 D-1.188						
1350	2.5 x .083W	2.344	1.938	20	3-27-1	3-28-47QG
1350	3 x .083W	2.844	2	20	3-27-2	3-28-57QG

Weld Yokes



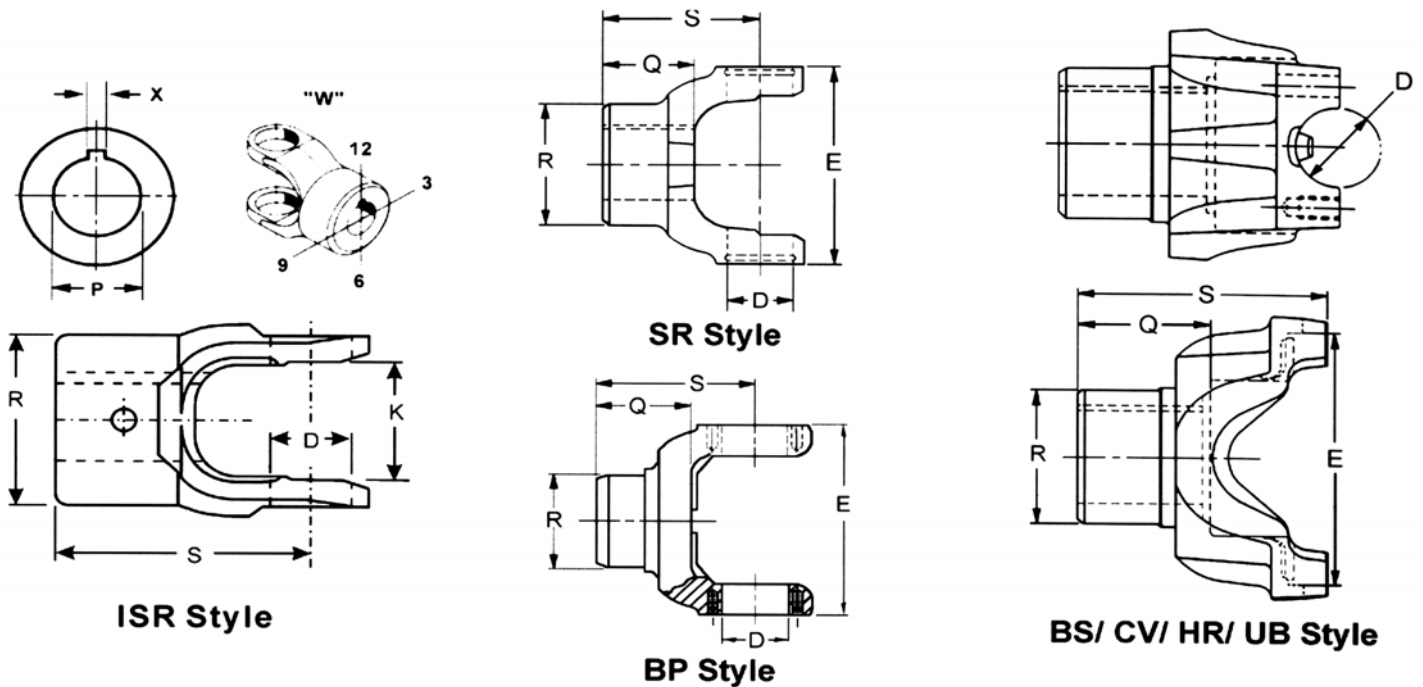
Series	For Use with Tubing Diameter and Wall	Butt Diameter	Centerline to point of weld	Angle	Used in Tube Yoke & Tube Assembly	Part No.
1410 Series E-4.438 D-1.188						
1410	3 x .083W	2.844	2.125	30	3-27-3	3-28-97QG
1410	3.5 x .083W	3.344	2.125	30	3-27-4	3-28-557QG
1480 Series E-4.438 D-1.375						
1480	3.5 x .083	3.344	2.031	22	3-27-22	3-28-537QG
1550 Series E - 5.250 D-1.375						
1550	3.5 x .0950W	3.312	2.188	22.5	4-27-18	4-28-307QG
1550	3.5 x .0950W	3.312	2.688	35	4-27-16	4-28-417QG

Weld Yokes



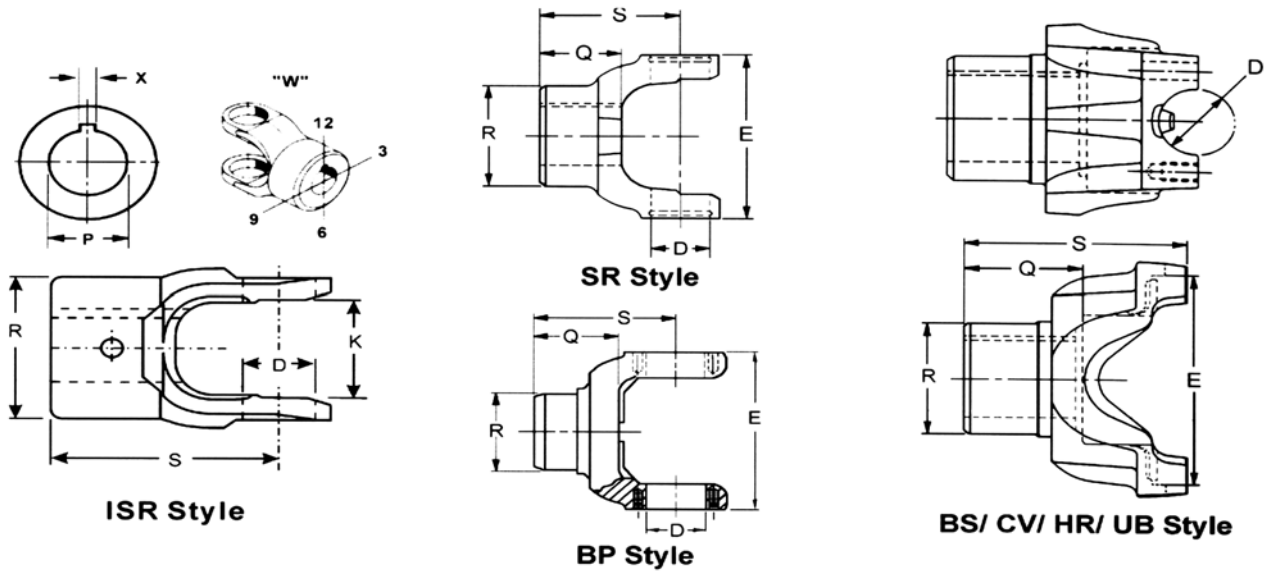
Series	For Use with Tubing Diameter and Wall	Butt Diameter	Centerline to point of weld	Angle	Used in Tube Yoke & Tube Assembly	Part No.
1610 Series E - 5.312 D-1.875						
1610	3.5 x .1340W	3.25	3	35	5-27-25	5-28-627QG
1710 Series E- 6.094 D- 1.938						
1710	4 x .0134W	3.734	3.031	30	6-27-17	6-28-347QG
1760 Series E-7.000 D-1.938						
1760	4.09 x .1800W	3.734	3.031	30	-	6.3-28-17QG
1810 Series E- 7.547 D-1.938						
1810	4.5 x .134W	4.234	3.375	30	6.5-27-9	6.5-28-117QG
1810	4.5 x .2590W	3.984	3.375	30	-	6.5-28-127QG

Straight Round Hole



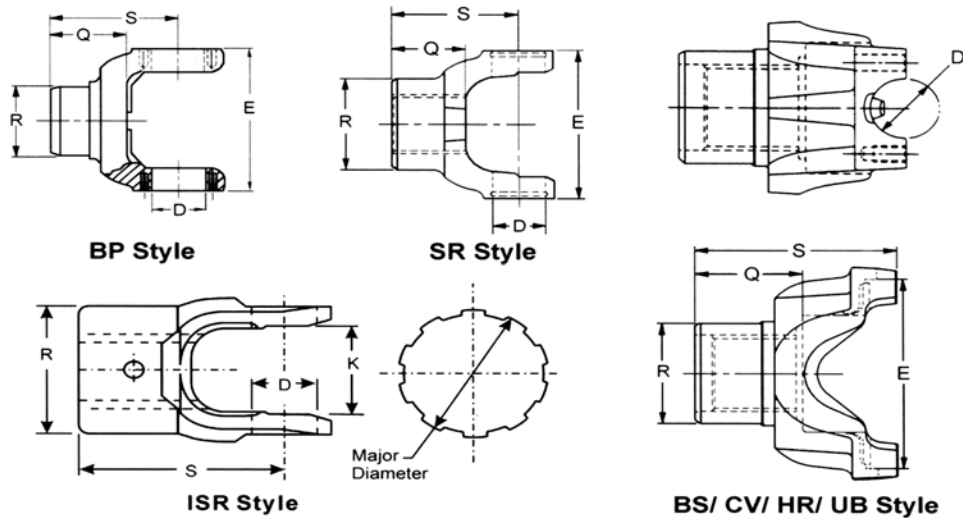
Series	Round Hole Dia.	SAE Keyway Width	Hole Dia.	Keyway	Set Screw	Hub Dia.	Length Thru Hole	C/L to End of Hub	Joint Angle	Style	Part No.
1000	0.750	0.188	0.375	3	6	1.625	-	2.500	60	ISR	10-4-13QG
1000	0.750	0.250	0.375	3	9	1.625	-	2.500	60	ISR	10-4-23QG
1000	0.875	0.188	0.375	3	9	1.625	-	2.500	60	ISR	10-4-53QG
1000	0.875	0.250	0.375	3	9	1.625	-	2.500	60	ISR	10-4-63QG
1000	1.000	0.188	0.375	3	9	1.625	-	2.500	60	ISR	10-4-83QG
1000	1.000	0.250	0.375	3	9	2.000	-	2.500	60	ISR	10-4-93QG
1000	1.125	0.250	0.375	3	6	2.000	-	2.500	60	ISR	10-4-103QG
1000	1.250	0.312	0.375	3	9	2.000	-	2.500	60	ISR	10-4-123QG
1000	1.250	0.250	0.375	9	12	2.000	-	2.500	60	ISR	10-4-183QG
1000	0.625	0.375	-	12	12 & 9	2.000	-	2.500	60	ISR	10-4-1813QG

Straight Round Hole



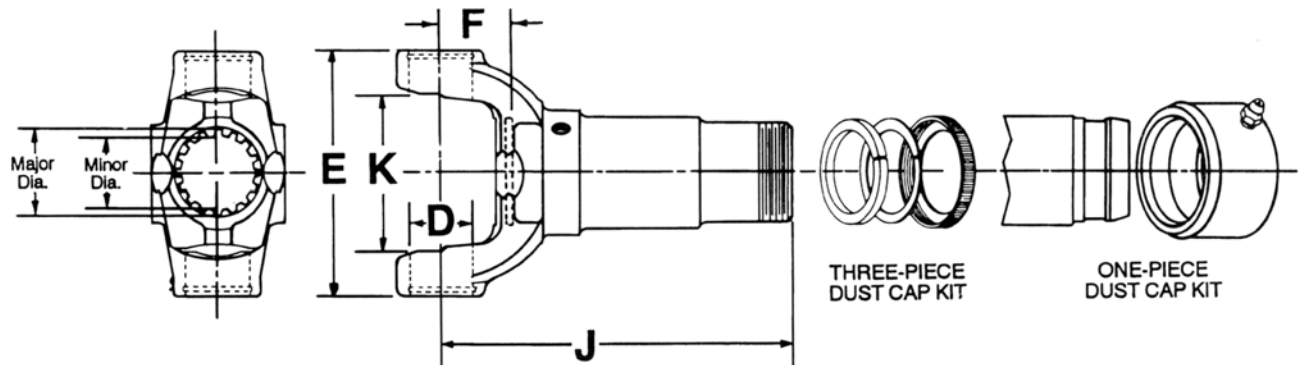
Series	Round Hole Dia.	SAE Keyway Width	Hole Dia.	Keyway	Set Screw	Hub Dia.	Length Thru Hole	C/L to End of Hub	Joint Angle	Style	Part No.
1310	0.812	0.250	0.375	12	6	2.125	-	2.562	17	SR	2-4-443QG
1310	0.875	0.188	0.375	12	6	2.125	-	2.562	17	SR	2-4-453QG
1310	1.000	0.250	0.375	12	6 & 12	2.125	-	2.562	17	SR	2-4-473QG
1310	1.125	0.250	0.375	12	6	2.125	-	2.562	17	SR	2-4-503QG
1310	1.125	0.312	0.375	12	6	2.125	-	2.562	17	SR	2-4-523QG
1310	1.125	0.312	0.375	12	6	2.125	-	2.562	17	SR	2-4-533QG
1310	1.250	0.250	0.375	12	6	2.125	-	2.562	17	SR	2-4-573QG
1310	0.875	0.250	0.375	12	6	2.125	-	2.562	17	SR	2-4-583QG
1310	1.250	0.312	0.500	12	5	2.125	-	2.562	17	SR	2-4-663QG
1310	1.375	0.375	0.375	12	6	2.000	-	2.562	17	SR	2-4-803QG
1310	1.375	0.312	0.375	12	3	2.000	-	2.562	17	SR	2-4-1103QG
1310	1.500	0.375	0.375	12	6	2.125	-	2.562	17	SR	2-4-1233QG

End Yokes With Splined Hole



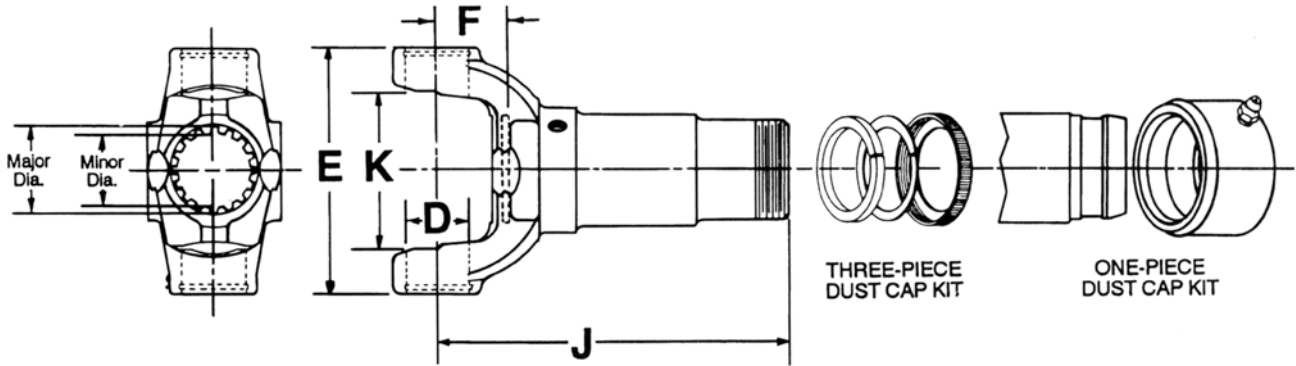
Series	Major Dia.	Spline	Ground Hub Dia	Legth Thru Hole	Centerline to End	Joint Angle	Style	Part No.
1310	0.878	13	2.000	1.567	2.562	30.0	SR	2-4-3331QG
1710	2.024	39	2.750	2.438	6.500	45.0	BP	6-4-6871QG
1710	1.960	10	2.812	3.000	5.000	25.0	BP	6-4-1981QG
1710	1.750	10	2.750	2.250	4.875	25.0	BP	6-4-2381QG
1710	2.000	10	2.938	2.562	5.188	25.0	BP	6-4-3241QG
1710	2.350	16	3.312	2.750	4.938	20.5	BP	6-4-4601QG
1810	2.351	16	2.875	2.750	5.500	30.0	BP	6.5-4-1891QG
1810	2.374	46	3.250	2.625	5.438	30.0	BP	6.5-4-2701QG
1810	2.024	39	3.000	2.312	5.188	30.0	BP	6.5-4-3371QG
1810	2.750	10	3.750	3.000	6.062	30.0	BP	6.5-4-3461QG
1810	2.374	46	3.250	2.312	5.156	30.0	BP	6.5-4-3721QG
1810	2.750	10	3.500	3.000	6.062	30.0	BP	6.5-4-1901QG

Slip Yoke Assemblies L.D & M.D. Driveshaft Style



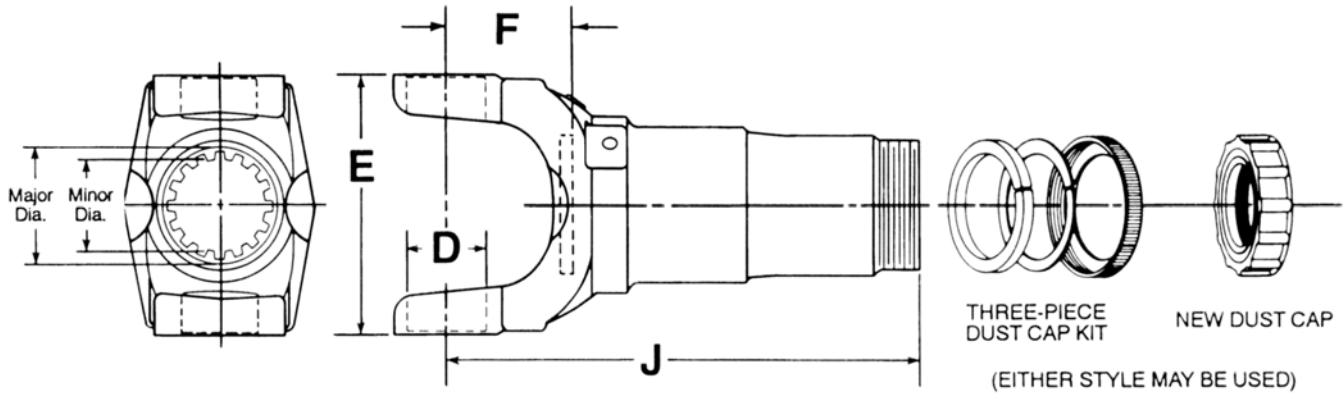
Series	Spline	Splined Hole Major Dia.	C/L to End of Spline	Joint Angle	C/L to face of washer	Lube Fitting	Dust Cap & Washer Kit	Slip Yoke Plug Number	Style	Part No.
1100	16	1.062	4.312	30	.938	500174-1	D1A	1-68-14	SR	1-3-18KXQG
1310	16	1.375	5.375	15	1	500174-1	D2C	2-68-23	SR	2-3-128KXQG
1310	16	1.375	6.750	17	.875	500174-1	D2M	3-68-23	SR	2-3-1931KXQG
1310	16	1.25	6.562	30	1.438	500174-1	D2K	2-68-23	SR	2-3-4441KXQG
1310	16	1.375	6.000	20	1.062	500174-1	D2C	2-68-143	SR	2-3-4951KXQG
1310	16	1.375	6.875	30	1.5	500174-1	D2C	3-68-23	SR	2-3-5221KXQG
1310	16	1.375	7.875	-	1.5	500174-1	-	3-68-23	SR	2-3-5821KXQG
1310	16	1.375	6.812	30	1.5	500174-1	211121	2-68-143	SR	2-3-8001KXQG
1330	16	1.375	6.000	15	1	500174-1	D3E	3-68-23	SR	2-3-4681KXQG
1330	16	14.375	7.500	17	1	500174-1	D2M	3-68-23	SR	2-3-7481KXQG
1330	16	1.375	6.625	35	1	500174-1	211121	3-68-23	SR	2-3-7681KXQG
1330	16	1.375	7.5	35	1	500174-1	211121	3-68-23	SR	2-3-8041KXQG

Slip Yoke Assemblies L.D. & M.D. Driveshaft Style



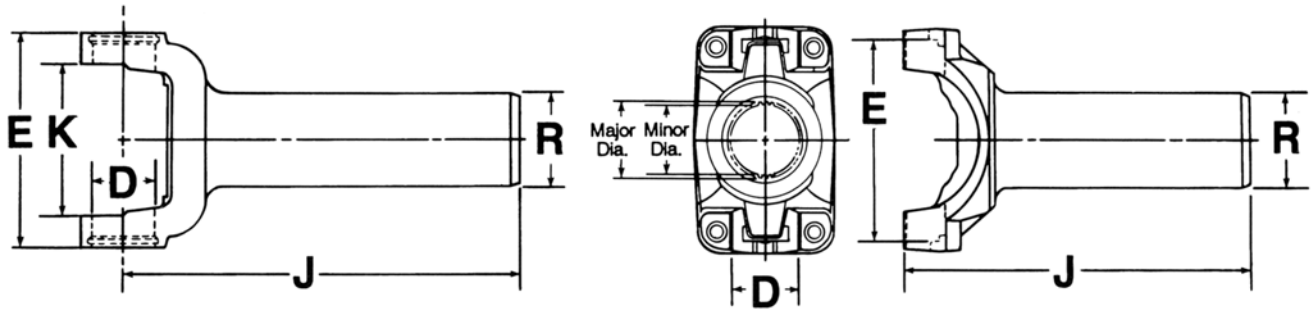
Series	Spline	Splined Hole Major Dia.	C/L to End of Spline	Joint Angle	C/L to face of washer	Lube Fitting	Dust Cap & Washer Kit	Slip Yoke Plug Number	Style	Part No.
1350	16	1.375	5.812	20	1.188	500174-1	D3G	3-68-33	SR	3-3-1501KXQG
1350	16	1.5	6.719	20	1.188	500174-1	D3A	3-68-33	SR	3-3-1561KXQG
1350	32	1.377	6.625	20	1.188	500174-1	D3F	3-68-33	SR	3-3-2471KXQG
1350	16	1.5	3.938	20	1.190	500174-1	D3A	3-68-33	SR	3-3-388KXQG
1350	16	1.5	5.812	20	1.312	500174-1	D3A	3-68-33	SR	3-3-598KXQG
1410	16	1.5	6.5	55	1.156	500174-1	D3A	3-68-33	SR	3-3-118KXQG
1410	16	1.375	5.812	20	1.156	500174-1	D3G	3-68-33	SR	3-3-1481KXQG
1410	16	1.562	6.812	21	1.312	500174-1	D3H	3-68-163	SR	3-3-1701KXQG
1410	16	1.5	5.025	20	1.156	500174-1	D3K	3-68-33	SR	3-3-2041KXQG
1410	16	1.5	3.906	20	1.156	500174-1	D3A	3-68-33	SR	3-3-468KXQG
1410	16	1.5	7.812	28	1.344	500174-1	D3A	3-68-33	SR	3-3-508KXQG
1480	16	1.562	6.812	21	1.312	500174-1	D3H	3-68-163	SR	3-3-1601KXQG
1550	16	2.5	3.5	8	1.125	500168-2	D4L	4-68-74	SR	4-3-1261KXQG
1550	16	1.75	6.875	22	1.875	500168-2	D4K	4-68-143	SR	4-3-1241KXQG

Slip Yoke Assemblies H.D. Driveshaft Style



Series	Spline	Splined Hole Major Dia.	C/L to End of Spline	Joint Angle	C/L to face of washer	Lube Fitting	Dust Cap & Washer Kit	Slip Yoke Plug Number	Style	Part No.
1610	16	2	10.812	35	3.188	500168-2	5-86-68	5-68-164	BP	5-3-2261KXQG
1710	16	2.5	11.688	30	2.438	500168-2	6.3-86-18	6-68-74	BP	6-3-2651KXQG
1710	16	2.5	9.594	22	1.719	500168-2	6.3-86-18	6-68-74	BP	6-3-2671KXQG
1760	16	2.5	11.156	30	2.469	500168-2	6.3-86-18	6.5-68-64	BP	6.3-3-21KXQG
1760	16	2.5	9.25	30	2.922	500168-2	6.3-86-18	6.3-68-14	BP	6.3-3-41KXQG
1810	16	3	10.25	30	2.375	500168-2	6.5-86-38	8-68-13	BP	6.5-3-1351KXQG
1810	16	3	11.875	30	2.375	500168-2	6.5-86-38	8-68-13	BP	6.5-3-1371KXQG
1810	16	3	8.938	30	2.375	500168-2	6.5-86-38	6.5-68-74	BP	6.5-3-1431KXQG

Slip Yoke Assemblies For Transmission Applications

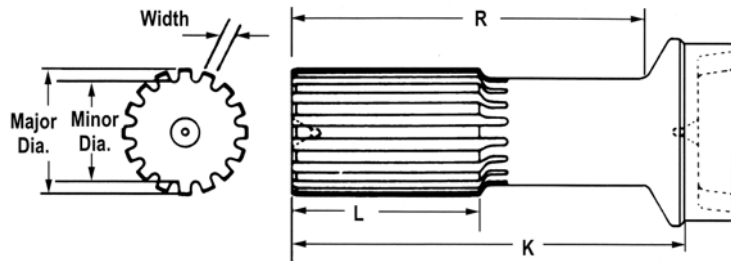


SNAP RING STYLE

BEARING STRAP (BS) STYLE

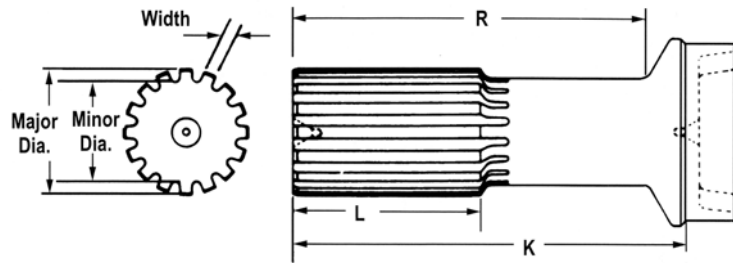
Series	Spline	Spline Hole Major Dia.	C/L to End of Spline	Ground Hub Dia.	Counter-bore Dia.	Style	Slip Yoke Plug	Part No.
1350	32	1.375	5.5	1.886	-	SR	500166-24	3-3-2431XQG

Slip Tube Shafts



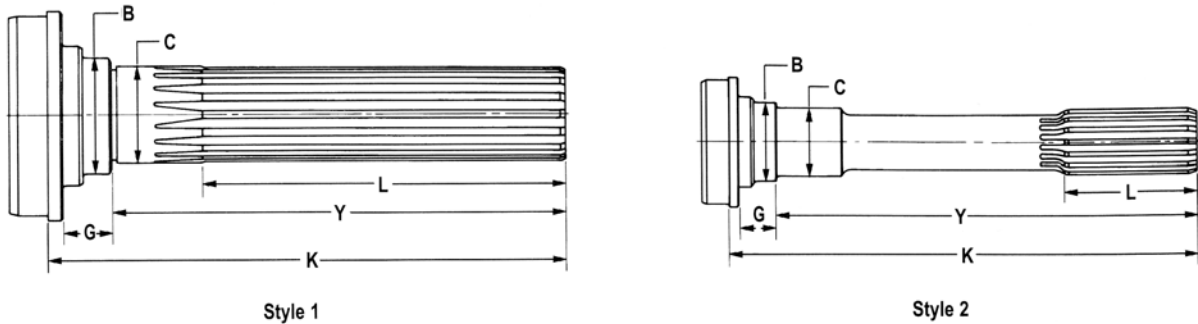
Major Dia	Spline	Length of Spline	End of Spline to Weld	Tube Dia.	Tube Wall Thickness	End of Spline to Radius	Part No.
1.375	16	2.250	5.188	2.00	0.083	4.625	2-40-1031QG
1.375	16	2.250	6.344	2.50	0.083	5.625	2-40-1711QG
1.375	16	2.250	6.344	2.50	0.065	5.625	2-40-1811QG
1.375	16	2.250	7.625	3.00	0.065	6.812	2-40-2051QG
1.500	16	2.500	5.938	3.00	0.083	5.125	3-40-1101QG
1.500	16	3.000	7.406	3.00	0.083	6.594	3-40-1421QG
1.500	16	2.500	5.625	2.50	0.083	4.969	3-40-1471QG
1.500	16	2.500	7.250	3.00	0.083	6.438	3-40-1611QG
1.750	16	3.000	9.219	3.50	0.095	8.250	4-40-721QG
1.750	16	3.000	6.781	3.50	0.095	5.812	4-40-761QG
2.000	16	2.500	9.688	3.50	0.134	8.781	5-40-1011QG
2.500	16	4.000	10.562	4.00	0.134	9.562	6-40-521QG
2.500	16	4.000	9.250	4.00	0.134	8.250	6-40-541QG
3.000	16	4.500	11.250	4.50	0.134	10.031	6.5-40-191QG
3.000	16	4.500	9.469	4.50	0.134	8.406	6.5-40-201QG
1.375	16	2.250	6.438	3.00	0.083	5.625	2-40-1521QG
1.375	16	2.250	6.188	2.00	0.120	5.625	2-40-1701QG
1.375	16	2.250	7.531	2.50	0.083	6.812	2-40-1851QG
1.250	16	2.000	6.000	2.00	0.083	5.406	2-40-1741QG

Slip Tube Shafts



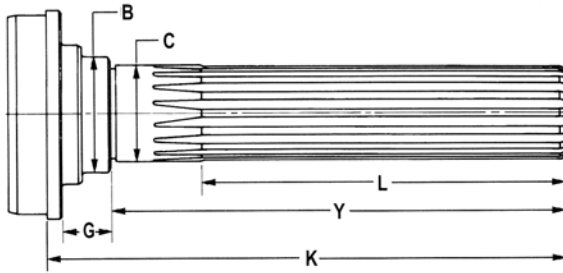
Major Dia	Spline	Length of Spline	End of Spline to Weld	Tube Dia.	Tube Wall Thickness	End of Spline to Radius	Part No.
1.375	16	2.125	6.562	2.00	0.083	6.000	2-40-1841QG
1.375	16	2.250	6.438	3.00	0.065	5.625	2-40-1221QG
1.375	16	2.250	6.625	3.50	0.083	5.625	2-40-1531QG
1.375	16	6.781	8.641	3.00	0.083	7.828	2-40-1871QG
2.000	16	3.500	10.188	3.50	0.134	9.281	5-40-1041QG
2.500	16	4.000	10.656	4.50	0.134	9.469	6-40-621QG
1.562	16	3.000	6.750	3.50	0.083	5.812	3-40-1571QG
1.250	16	1.906	6.125	1.25	0.120	5.375	2-40-1771QG
1.250	16	2.000	4.469	1.75	0.065	3.938	2-40-971QG

Splined Midship Tube Shafts Companion Flange or End Yoke Design

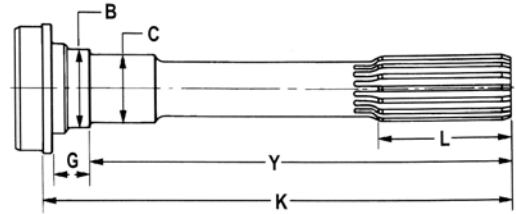


Shaft Support Bearing Dia. Max/Min	Spline Length	End of Spine to Point of Weld	Style	Tube Dia.	Tube Wall Thickness	End of Spline to Bearing Shoulder	Shoulder Dia.	Length of Shoulder	Part No.
1.3750-16 Spline									
1.3780 Bearing Diameter									
1.3784/ 1.3779	4.438	7.281	1	2.0	0.083	5.969	1.688	0.812	2-53-121QG
1.3784/ 1.3779	5.406	8.000	1	2.5	0.083	6.936	1.688	0.812	2-53-471QG
1.3784/ 1.3779	5.406	8.000	1	3.0	0.083	6.938	1.688	0.812	2-53-501QG
1.3784/ 1.3779	2.500	9.031	2	3.0	0.083	7.969	1.688	0.812	2-53-711QG
1.5000-16 Spline									
1.5750 Bearing Diameter									
1.5725/ 1.5747	4.438	7.062	1	3	0.083	5.94	1.81	0.875	3-53-1031QG

Splined Midship Tube Shafts Companion Flange or End Yoke Design



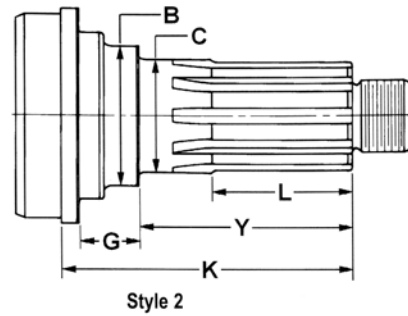
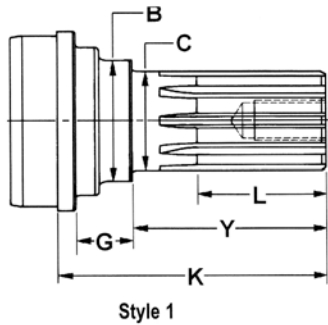
Style 1



Style 2

Shaft Support Bearing Dia. Max/Min	Spline Length	End of Spine to Point of Weld	Style	Tube Dia.	Tube Wall Thickness	End of Spline to Bearing Shoulder	Shoulder Dia.	Length of Shoulder	Part No.
1.7500 - 16 Spline									
1.7720 Bearing Diameter									
1.7721/ 1.7715	5.938	8.562	1	3.5	0.095	7.469	2.188	0.812	4-53-61QG

Splined Midship Tube Shafts Companion Flange or End Yoke Design



Shaft Support Bearing Dia. Max/Min	Spline Length	End of Spine to Point of Weld	Thread Size	Style	Tube Dia.	Tube Wall Thickness	End of Spline to Bearing Shoulder	Shoulder Dia.	Length of Shoulder	Part No.
1.9580-10 Spline										
1.9680 Bearing Diameter										
1.965/ 1.968	2.875	5.156	1.250- 18	2	4	0.134	4.062	2.438	0.812	6-53-201QG
2.35 - 16 Spline										
2.3620 Bearing Diameter										
2.3622/ 2.3617	2.75	5.132	1.250- 18	2	4.5	0.134	4	2.875	1.312	6.5-53-91QG
2.3622/ 2.3617	2.625	5.312	1.25- 18	2	4	0.134	4	2.875	0.812	6-53-311QG

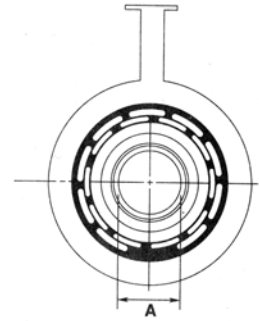
Yoke Shaft

Series	Major Dia	Spline	Length of Spline	End of Spline to Point of Radius	Centerline to End of Spline	Angle	Part No.
1310	1.375	16	2.25	3.844	5.312	16	2-82-21QG
1350	1.5	16	2	3.063	5.188	20	3-82-61QG
1350	1.5	16	2.5	4.6880	6.8120	9.0	3-82-181QG
1550	2.5	16	1.562	2.75	4.562	8	4-82-191QG
1550	2.5	16	1.562	2.938	4.182	8	4-28-201QG

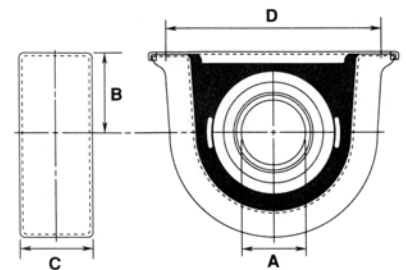
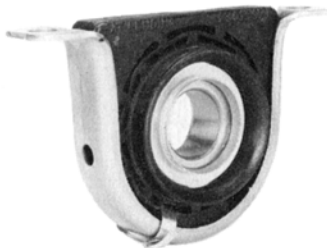
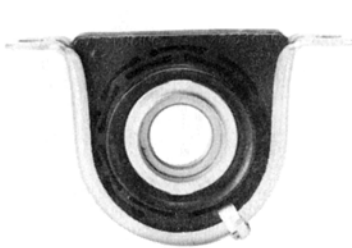
Special Parts

3R/Saginaw Slip and Stub Sets					
Major Dia	Spline	Bearing Dia.	Tube Dia.	Wall Thickness	Part No.
1.375	31/32	1.378	2.75	.065	3-53-1181-2SETQG
1.375	31/32	1.378	2.75	.065	3-53-1181-5SETQG
DriveShaft Kits					
Series	Tube Length	Extras Included	U-Joints Included	Part No.	
1350	10.25	3-4-283-1QG 3-2-119QG	No	1350-1025NWQG	
1310	47.75	-	Yes	9553-4724QG	
3R	16	-	Yes	26022466QG	
1310/3R CV	24	-	Yes	413728-2400NWQG	
5C	N/A	-	No	600.001.001QG	
6C	N/A	-	No	600.001.002QG	
7C	N/A	-	No	600.001.003QG	
1000	57.91	-	Yes	10270-5729QG	

Centre Bearings.

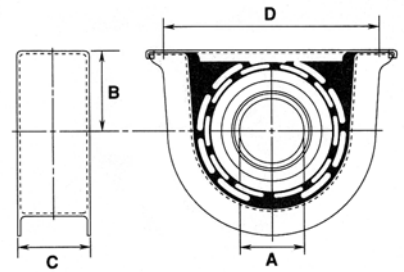
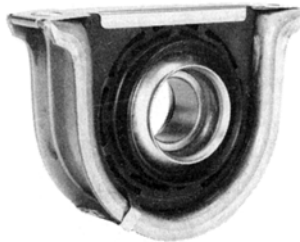
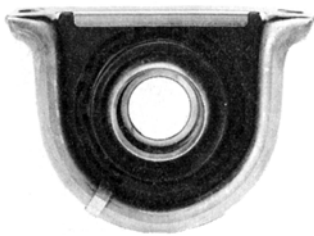


	Bearing ID	Centerline to Centerline of Bolt Holes	Height	Midship Type
CB210527-1X	1.1811	1.5000	5.5000	Slip Style

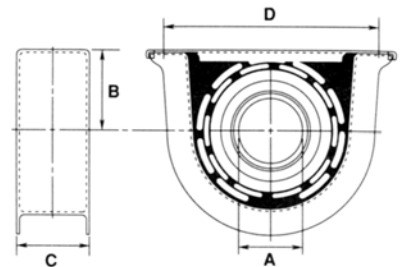


	Bearing ID	Centerline to Centerline of Bolt Holes	Height	Midship Type
CB210088-1X	1.3780	6.6500	4.8750	Slip Style
CB210367-1X	1.3780	6.6250	5.0000	Slip Style
CB210370-1X	1.3780	6.6250	4.7500	Slip Style
CB210866-1X	1.5748	6.6250	4.8750	Slip Style
CB210873-1X	1.5748	6.6500	4.8750	End Yoke Style

Centre Bearings

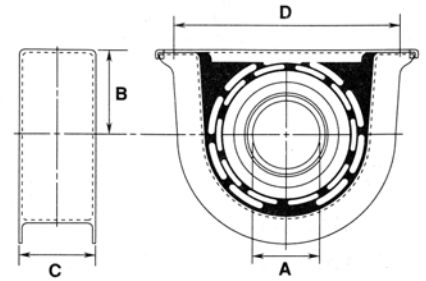
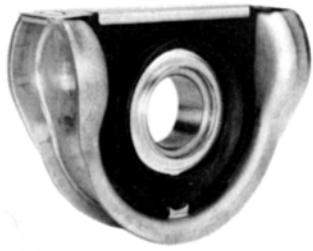


	Bearing ID	Centerline to Centerline of Bolt Holes	Height	Midship Type
CB210391-1X	1.5748	6.6250	5.3750	End Yoke Style
CB210433-1X	1.5748	6.6250	5.3750	Slip Style
CB210140-1X	1.5748	6.6250	5.5000	Slip Style
CB210084-2X	1.7717	7.6250	6.0000	End Yoke Style
CB210207-1X	1.7717	7.6250	6.0000	Slip Style



	Bearing ID	Centerline to Centerline of Bolt Holes	Height	Midship Type
CB210121-1X	1.9680	7.6250	6.2500	End Yoke Style

Centre Bearings



	Bearing ID	Centerline to Centerline of Bolt Holes	Height	Midship Type
CB210661-1X	2.3622	8.6250	7.5000	End Yoke Style
CB210875-1X	2.3622	8.6250	7.5000	End Yoke Style
CB210748-1X	2.7559			End Yoke Style