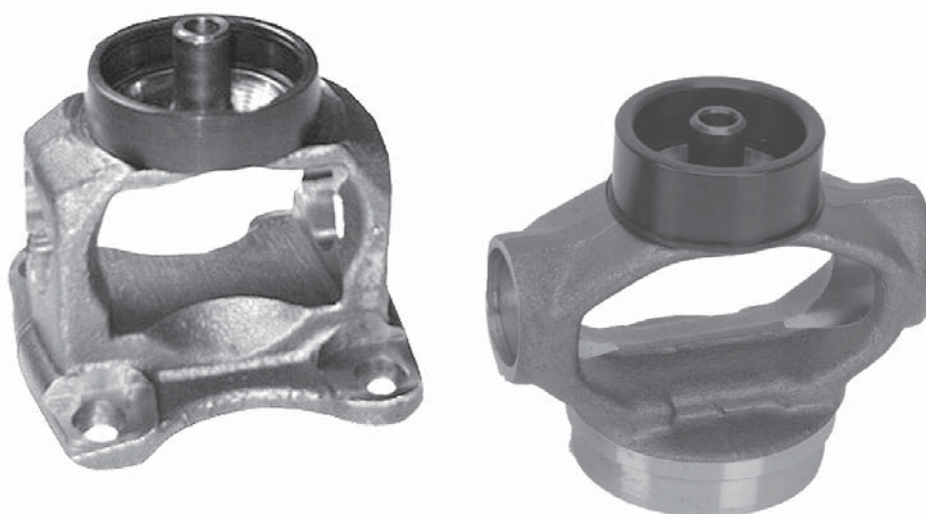


ROCKFORD

Drive Line

Stud Yokes



Weld, Flanged & Slip

MANUFACTURER OF DRIVELINE COMPONENTS
1500 11TH AVENUE ROCKFORD, ILLINOIS 61104
PHONE (815) 962-1411 FAX (815) 965-4857
RockfordDriveLine.com

How to Use This Section

Determine which type of stud yoke you need by referring to the illustrations and descriptions at the top of each page.

To identify a stud yoke (Weld In Style)

1. Determine the series of the yoke. This can also be determined by measuring the bearing diameter **(A)** and snap ring lockup **(B)**.
*Note: Inside snap ring type yokes will show the B dimension followed by (I)
 Outside snap ring type yokes will show the B dimension followed by (O)*
2. Determine the tube diameter & wall thickness or continue to step 4.
3. Determine the butt diameter **(C)** by measuring the inside diameter of the tubing & adding .010".
Note: You are adding .010" to the inside diameter of the tube to achieve the press fit required between the tubing and stub shaft.
4. Determine the stud diameter **(D)** & stud length **(E)**.
5. Determine the dust shield design required for your application. **Steel** dust shields (early) are used with centering assemblies using external design seals. **Rubber** dust shields (late) are used with centering assemblies using internal design seals.

Centerline to Weld & Centerline to Stud are also included for additional identification.

Part series are shown in ***Bold Italics*** for easy lookup - RDL Kit number is also shown to the far right of each series for quick referencing.

| RDL Part Number | A Bearing Diameter | B Snap Ring Lockup - (O/I) | Fits Tube Dia. / Wall | C Butt Diameter | D / E Ball Stud Dia. / Length | F Centerline to Weld | G Centerline to Stud | OEM Dust Shield Design |
|---------------------------|-----------------------|-------------------------------|-----------------------|--------------------|---|-------------------------|-------------------------|------------------------|
| <i>1330 Series</i> | | | | | <i>Use RDL Kit - K213 or K1203</i> | | | |
| R2-28-2157 | 1.063 | 3.622 - (O) | 2.000 / .120 | 1.770 | .500 / .594 | 1.365 | 1.640 | Steel |

Notice: The data contained in this catalog has been thoroughly checked for accuracy, however we cannot assume any responsibility for errors, omissions or typographical mistakes that may appear.

**To identify a stud yoke
(Flanged Style)**

1. Determine the series of the yoke. All flanged style stud yokes Rockford offers have 1.125" bearing diameter, 2.126 internal snap ring lockup.
2. Determine the stud diameter (**A**) & stud length (**B**).
3. Determine the bolt hole diameter (**C**) and the bolt pattern dimensions (**D & E**)

Pilot Diameter, Centerline to Flange, Centerline to Stud & Bolt Circle are also included for additional identification.

Part series are shown in ***Bold Italics*** for easy lookup - RDL Kit number is also shown to the far right of each series for quick referencing.

Note: All flanges listed have 1.125 bearing diameter, 2.126 internal lockup.

| RDL Part Number | A Stud Diameter | B Stud Height | Bolt Hole Dimensions | | | F Pilot Diameter | G Centerline to Flange | H Centerline to Stud | Bolt Circle |
|--------------------|--------------------|------------------|----------------------|-------|----------------------------|---------------------|---------------------------|-------------------------|-------------|
| | | | C | D | E | | | | |
| 2.5R Series | | | | | Use RDL Kit - K2532 | | | | |
| R25-2-3138 | .470 | .813 | .328 | 2.696 | 2.364 | 1.482 | 1.700 | 3.575 | |

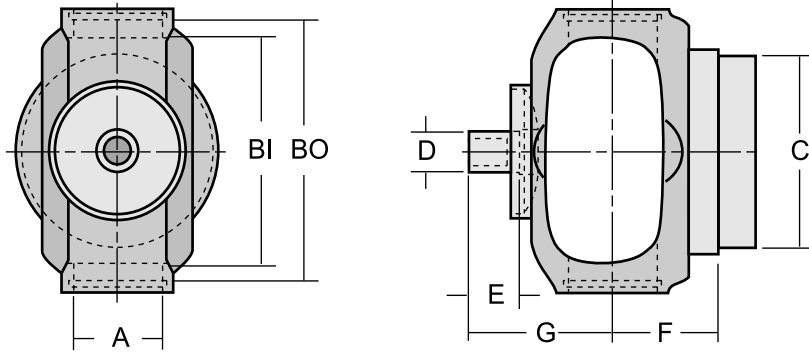
**To identify a stud yoke
(Flanged Style)**

1. Determine the series of the yoke. This can also be determined by measuring the bearing diameter (**A**) and snap ring lockup (**B**).
2. Determine the major diameter of the spline (**D**).

Number of teeth, centerline to end, distance across ears & dust cap numbers are also included for additional identification.

| RDL Part Number | A Bearing Diameter | B Snap Ring Lockup - (O/I) | C Number of Teeth | D Major Spline Dia. | E Center Line To End | F Distance Across Ears | Dust Cap Number Inc. |
|-----------------|-----------------------|-------------------------------|----------------------|------------------------|-------------------------|---------------------------|----------------------|
| | | | | | | | |
| R2-3-3130 | 1.063 | 3.217 - (O) | 16 | 1.375 | 6.188 | 3.469 | R2-80-194Z |

STUD YOKES (Weld In Style)



| RDL Part Number | A Bearing Diameter | B Snap Ring Lockup - (O/I) | Fits Tube Dia. / Wall | C Butt Diameter | D / E Ball Stud Dia. / Length | F Centerline to Weld | G Centerline to Stud | OEM Dust Shield Design |
|-----------------|-----------------------|-------------------------------|-----------------------|--------------------|----------------------------------|-------------------------|-------------------------|------------------------|
|-----------------|-----------------------|-------------------------------|-----------------------|--------------------|----------------------------------|-------------------------|-------------------------|------------------------|

1210 Series

Use RDL Kit - K443

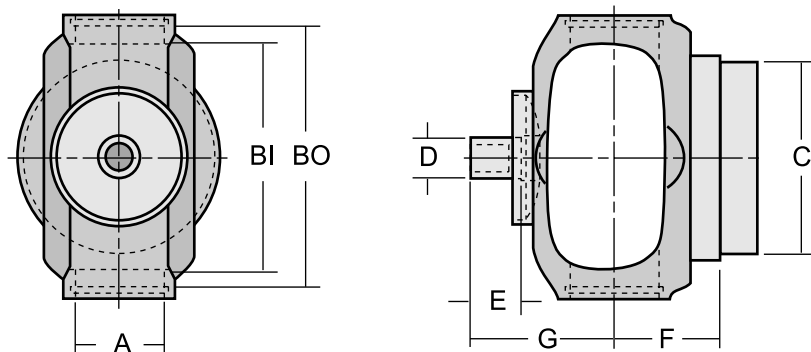
| | | | | | | | | |
|------------|-------|-------------|--------------|-------|-------------|-------|-------|-------|
| R2-28-3110 | 1.063 | 2.437 - (O) | 1.250 / .120 | 1.016 | .500 / .594 | 1.312 | 1.640 | Steel |
| R2-28-2467 | 1.063 | 2.437 - (O) | 2.000 / .120 | 1.770 | .500 / .594 | 1.312 | 1.640 | Steel |
| R2-28-2717 | 1.063 | 2.437 - (O) | 2.000 / .083 | 1.844 | .500 / .594 | 1.312 | 1.640 | Steel |
| R2-28-2407 | 1.063 | 2.437 - (O) | 2.500 / .065 | 2.380 | .500 / .594 | 1.312 | 1.640 | Steel |
| R2-28-3128 | 1.063 | 2.437 - (O) | 2.500 / .083 | 2.344 | .500 / .594 | 1.312 | 1.640 | Steel |

1310 Series

Use RDL Kit - K153

| | | | | | | | | |
|-----------------------|------------------|------------------------|-------------------------|------------------|------------------------|------------------|------------------|-------------------|
| R2-28-2997 | 1.063 | 3.217 - (O) | 1.250 / .120 | 1.016 | .500 / .594 | 1.438 | 1.640 | Steel |
| R2-28-2807 | 1.063 | 3.217 - (O) | 1.250 / .120 | 1.016 | .500 / .594 | 1.438 | 1.653 | Rubber |
| R2-28-3158 | 1.063 | 3.217 - (O) | 1.250 / .188 | 0.879 | .500 / .594 | 1.438 | 1.640 | Steel |
| R2-28-3237 | 1.063 | 3.217 - (O) | 1.500 / .120 | 1.266 | .500 / .594 | 1.438 | 1.653 | Rubber |
| R2-28-2937 | 1.063 | 3.217 - (O) | 1.750 / .095 | 1.570 | .500 / .594 | 1.438 | 1.640 | Steel |
| R2-28-2827 | 1.063 | 3.217 - (O) | 1.750 / .095 | 1.570 | .500 / .594 | 1.438 | 1.653 | Rubber |
| R2-28-2947 | 1.063 | 3.217 - (O) | 2.000 / .120 | 1.770 | .500 / .594 | 1.438 | 1.640 | Steel |
| R2-28-2867 | 1.063 | 3.217 - (O) | 2.000 / .120 | 1.770 | .500 / .594 | 1.438 | 1.653 | Rubber |
| R2-28-3087 | 1.063 | 3.217 - (O) | 2.500 / .065 | 2.380 | .500 / .594 | 1.438 | 1.653 | Rubber |
| R2-28-2957 | 1.063 | 3.217 - (O) | 2.500 / .083 | 2.344 | .500 / .594 | 1.438 | 1.640 | Steel |
| R2-28-2887 | 1.063 | 3.217 - (O) | 2.500 / .083 | 2.344 | .500 / .594 | 1.438 | 1.653 | Rubber |
| R2-28-2987 | 1.063 | 3.217 - (O) | 2.750 / .065 | 2.625 | .500 / .594 | 1.438 | 1.640 | Steel |
| R2-28-2747 | 1.063 | 3.217 - (O) | 2.750 / .065 | 2.625 | .500 / .594 | 1.438 | 1.653 | Rubber |
| R2-28-3817 | 1.063 | 3.217 - (O) | 2.750 / .083 | 2.594 | .500 / .594 | 1.438 | 1.640 | Steel |
| R2-28-2967 | 1.063 | 3.217 - (O) | 3.000 / .065 | 2.875 | .500 / .594 | 1.438 | 1.640 | Steel |
| R2-28-2907 | 1.063 | 3.217 - (O) | 3.000 / .065 | 2.875 | .500 / .594 | 1.438 | 1.653 | Rubber |
| R2-28-2977 | 1.063 | 3.217 - (O) | 3.000 / .083 | 2.844 | .500 / .594 | 1.438 | 1.640 | Steel |
| R2-28-2927 | 1.063 | 3.217 - (O) | 3.000 / .083 | 2.844 | .500 / .594 | 1.438 | 1.653 | Rubber |

STUD YOKES (Weld In Style)



| RDL Part Number | A Bearing Diameter | B Snap Ring Lockup - (O/I) | Fits Tube Dia. / Wall | C Butt Diameter | D / E Ball Stud Dia. / Length | F Centerline to Weld | G Centerline to Stud | OEM Dust Shield Design |
|-----------------|-----------------------|-------------------------------|-----------------------|--------------------|----------------------------------|-------------------------|-------------------------|------------------------|
|-----------------|-----------------------|-------------------------------|-----------------------|--------------------|----------------------------------|-------------------------|-------------------------|------------------------|

1330 Series

Use RDL Kit - K213 or K1203

| | | | | | | | | |
|------------|-------|-------------|--------------|-------|-------------|-------|-------|--------|
| R2-28-2157 | 1.063 | 3.622 - (O) | 2.000 / .120 | 1.770 | .500 / .594 | 1.365 | 1.640 | Steel |
| R2-28-3257 | 1.063 | 3.622 - (O) | 2.000 / .120 | 1.770 | .500 / .594 | 1.365 | 1.653 | Rubber |
| R2-28-2137 | 1.063 | 3.622 - (O) | 2.500 / .083 | 2.344 | .500 / .594 | 1.365 | 1.640 | Steel |
| R2-28-3067 | 1.063 | 3.622 - (O) | 2.500 / .083 | 2.344 | .500 / .594 | 1.365 | 1.653 | Rubber |
| R2-28-3277 | 1.063 | 3.622 - (O) | 2.500 / .095 | 2.316 | .500 / .594 | 1.365 | 1.653 | Rubber |
| R2-28-3193 | 1.063 | 3.622 - (O) | 2.750 / .095 | 2.568 | .500 / .594 | 1.365 | 1.653 | Rubber |
| R2-28-2187 | 1.063 | 3.622 - (O) | 3.000 / .083 | 2.844 | .500 / .594 | 1.365 | 1.640 | Steel |
| R2-28-3447 | 1.063 | 3.622 - (O) | 3.000 / .083 | 2.844 | .500 / .594 | 1.365 | 1.653 | Rubber |

3R Series

Use RDL Kit - K3147

| | | | | | | | | |
|---------------|-------|-------------|--------------|-------|-----------|-------|-------|-------|
| R3R-28-3122 | 1.125 | 2.556 - (I) | 1.250 / .120 | 1.016 | .906 Ball | 1.422 | 1.937 | Steel |
| R3R-28-3121 | 1.125 | 2.556 - (I) | 1.250 / .188 | .868 | .906 Ball | 1.422 | 1.937 | Steel |
| R3R-28-3113 | 1.125 | 2.556 - (I) | 2.000 / .120 | 1.770 | .906 Ball | 1.422 | 1.937 | Steel |
| R3R-28-3134 | 1.125 | 2.556 - (I) | 2.500 / .083 | 2.344 | .906 Ball | 1.422 | 1.937 | Steel |
| R3R-28-3111 | 1.125 | 2.556 - (I) | 2.750 / .065 | 2.625 | .906 Ball | 1.422 | 1.937 | Steel |
| R3R-28-3182** | 1.125 | 2.556 - (I) | 3.000 / .083 | 2.844 | .906 Ball | 1.422 | 1.937 | Steel |

1350 Series (Spicer Style Shafts)

Use RDL Kit - K178

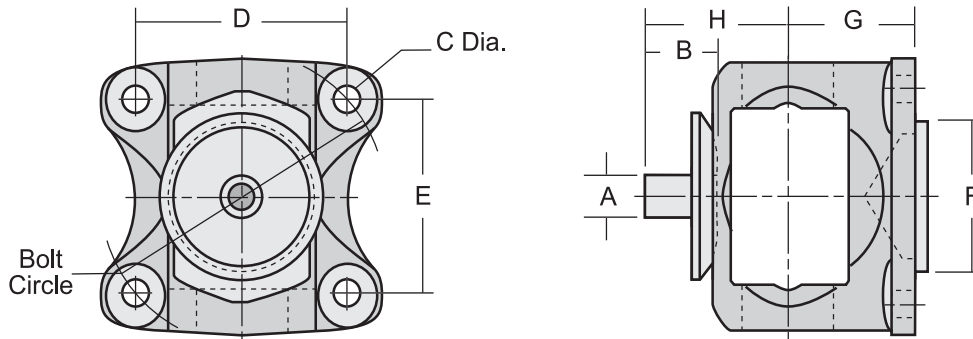
| | | | | | | | | |
|--------------|-------|-------------|--------------|-------|-------------|-------|-------|--------|
| R3-28-3198** | 1.188 | 3.622 - (O) | 2.500 / .095 | 2.316 | .500 / .625 | 1.469 | 1.744 | Rubber |
| R3-28-3132 | 1.188 | 3.622 - (O) | 2.500 / .083 | 2.344 | .500 / .625 | 1.469 | 1.744 | Rubber |
| R3-28-3133 | 1.188 | 3.622 - (O) | 2.750 / .083 | 2.594 | .500 / .625 | 1.469 | 1.744 | Rubber |
| R3-28-1327 | 1.188 | 3.622 - (O) | 3.000 / .083 | 2.844 | .500 / .625 | 1.469 | 1.744 | Rubber |
| R3-28-1527 | 1.188 | 3.622 - (O) | 3.500 / .083 | 3.342 | .500 / .625 | 1.469 | 1.744 | Rubber |

1355 Series (AAM Style Shafts)

Use RDL Kit - K178

| | | | | | | | | |
|------------|-------|-------------|--------------|-------|-----------|-------|-------|-------|
| R3-28-7316 | 1.188 | 3.622 - (O) | 2.750 / .083 | 2.594 | .906 Ball | 1.469 | 2.094 | Steel |
|------------|-------|-------------|--------------|-------|-----------|-------|-------|-------|

STUD YOKES (Flanged Style)



Note: All flanges listed have 1.125 bearing diameter, 2.126 internal lockup.

| RDL Part Number | A Stud Diameter | B Stud Height | Bolt Hole Dimensions | | | F Pilot Diameter | G Centerline to Flange | H Centerline to Stud | Bolt Circle |
|-----------------|-----------------|---------------|----------------------|---|---|------------------|------------------------|----------------------|-------------|
| | | | C | D | E | | | | |

2.5R Series

Use RDL Kit - K2532

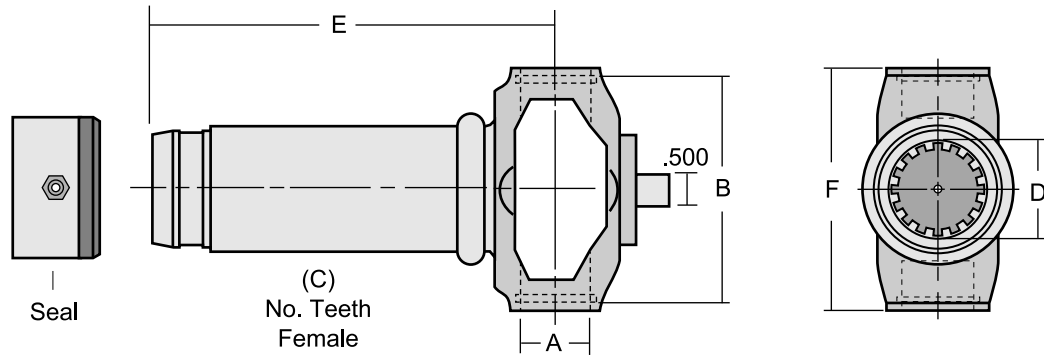
| | | | | | | | | | |
|---------------------|------|------|------|-------|-------|-------|-------|-------|-------|
| R25-2-3138 | .470 | .813 | .328 | 2.696 | 2.364 | 1.809 | 1.482 | 1.700 | 3.575 |
| R25-2-3142 | .470 | .813 | .394 | 2.696 | 2.364 | 1.809 | 1.482 | 1.700 | 3.575 |
| R25-2-3140 | .470 | .813 | .394 | 2.750 | 2.426 | 1.809 | 1.482 | 1.700 | 3.670 |
| R25-2-3139 | .511 | .938 | .328 | 2.696 | 2.364 | 1.809 | 1.482 | 1.827 | 3.575 |
| R25-2-3141 | .511 | .938 | .394 | 2.750 | 2.426 | 1.809 | 1.482 | 1.827 | 3.670 |
| R25-2-3143 | .511 | .938 | .410 | 2.360 | 2.360 | 1.809 | 1.521 | 1.858 | 3.340 |
| R25-2-3144 | .511 | .938 | .445 | 2.596 | 2.596 | 1.809 | 1.521 | 1.858 | 3.670 |
| R25-2-3145** | .511 | .938 | .405 | 2.720 | 2.280 | 2.370 | 1.521 | 1.858 | 3.550 |

2.5R Series (Conversion Flanges) - use with 1st design components

Use RDL Kit - K2532

| | | | | | | | | | |
|------------|------|------|------|-------|-------|-------|-------|-------|-------|
| R25-2-3162 | .470 | .813 | .410 | 2.360 | 2.360 | 1.809 | 1.482 | 1.700 | 3.340 |
| R25-2-3163 | .470 | .813 | .445 | 2.596 | 2.596 | 1.809 | 1.482 | 1.700 | 3.670 |

BALL STUD SLIP YOKES (C.V. Applications)



| RDL Part Number | A Bearing Diameter | B Snap Ring Lockup - (O/I) | C Number of Teeth | D Major Spline Dia. | E Center Line To End | F Distance Across Ears | Dust Cap Number Inc. |
|--------------------|-----------------------|-------------------------------|------------------------------------|------------------------|-------------------------|---------------------------|----------------------|
| 1210 Series | | | Use RDL Kit - K443 | | | | |
| R2-3-3129 | 1.063 | 2.437 - (O) | 16 | 1.250 | 6.375 | 2.688 | R2-80-196Z |
| 1310 Series | | | Use RDL Kit - K153 | | | | |
| R2-3-3130 | 1.063 | 3.217 - (O) | 16 | 1.375 | 7.063 | 3.469 | R2-80-194Z |
| R2-3-6100** | 1.063 | 3.217 - (O) | 16 | 1.375 | 6.438 | 3.469 | R2-80-194Z |
| 1330 Series | | | Use RDL Kit - K1203 or K213 | | | | |
| R2-3-3131 | 1.063 | 3.622 - (O) | 16 | 1.375 | 6.438 | 3.875 | R2-80-194Z |
| R2-3-3134 | 1.063 | 3.622 - (O) | 16 | 1.500 | 8.188 | 3.875 | RD3A |

** New addition to MC0414-7 catalog

Notes:



PART NUMBER INTERCHANGE LIST

| MFG. NO. | OUR NO. | MFG. NO. | OUR NO. |
|-------------------------------|---------------------|-----------------|------------|
| Neapco | | | |
| N2-28-2137X | R2-28-2137 | 415D | R25-2-3142 |
| N2-28-2157X | R2-28-2157 | 415E | R25-2-3143 |
| N2-28-2407X | R2-28-2407 | 416 | R2-28-2407 |
| N2-28-2467X | R2-28-2467 | 417 | R2-28-2467 |
| N2-28-2747X | R2-28-2747 | 418 | R2-28-2137 |
| N2-28-2807X | R2-28-2807 | | |
| N2-28-2827X | R2-28-2827 | Spicer | |
| N2-28-2867X | R2-28-2867 | 2-28-2137X..... | R2-28-2137 |
| N2-28-2887X | R2-28-2887 | 2-28-2157X..... | R2-28-2157 |
| N2-28-2907X | R2-28-2907 | 2-28-2187X..... | R2-28-2187 |
| N2-28-2927X | R2-28-2927 | 2-28-2407X..... | R2-28-2407 |
| N2-28-2937X | R2-28-2937 | 2-28-2747X..... | R2-28-2747 |
| N2-28-2947X | R2-28-2947 | 2-28-2827X..... | R2-28-2827 |
| N2-28-2957X | R2-28-2957 | 2-28-2867X..... | R2-28-2867 |
| N2-28-2967X | R2-28-2967 | 2-28-2887X..... | R2-28-2887 |
| N2-28-2977X | R2-28-2977 | 2-28-2907X..... | R2-28-2907 |
| N2-28-2987X | R2-28-2987 | 2-28-2927X..... | R2-28-2927 |
| N2-28-2997X | R2-28-2997 | 2-28-2937X..... | R2-28-2937 |
| N2-28-3067X | R2-28-3067 | 2-28-2947X..... | R2-28-2947 |
| N2-28-3087X | R2-28-3087 | 2-28-2957X..... | R2-28-2957 |
| N2-28-3257X | R2-28-3257 | 2-28-2967X..... | R2-28-2967 |
| N2-28-3277X | R2-28-3277 | 2-28-2977X..... | R2-28-2977 |
| N2-28-3447X | R2-28-3447 | 2-28-2987X..... | R2-28-2987 |
| N2-28-3817X | R2-28-3817 | 2-28-2997X..... | R2-28-2997 |
| N3-28-1327-1X | R3-28-1327 | 2-28-3067X..... | R2-28-3067 |
| N3-28-1527-1X | R3-28-1527 | 2-28-3087X..... | R2-28-3087 |
| N3-28-1747-1X | R3-28-3133 | 2-28-3257X..... | R2-28-3257 |
| N3-28-3281X | R3-28-3198** | 2-28-3277X..... | R2-28-3277 |
| N3R-28-053 | R3R-28-3122 | 2-28-3447X..... | R2-28-3447 |
| N3R-28-341 | R3R-28-3111 | 2-28-3657X..... | R2-28-3128 |
| N3R-28-869 | R3R-28-3113 | 2-28-3817X..... | R2-28-3817 |
| | | 3-28-1327X..... | R3-28-1327 |
| | | 3-28-1527X..... | R3-28-1527 |
| | | 3-28-1747X..... | R3-28-3133 |
| Rockford (Old Numbers) | | | |
| 410 | R3R-28-3113 | | |
| 410A | R3R-28-3111 | | |
| 410B | R3R-28-3122 | | |
| 411 | R2-28-2947 | | |
| 412 | R2-28-2997 | | |
| 413 | R2-28-2957 | | |
| 415 | R25-2-3138 | | |
| 415A | R25-2-3139 | | |
| 415B | R25-2-3140 | | |
| 415C | R25-2-3141 | | |

** New addition to MC0414-7 catalog

Notes:

| PART NUMBER | PG | PART NUMBER | PG |
|-----------------------------|-------------------|---------------------------|----|
| R2-28-2137 | 5 | R3-28-1327 | 5 |
| R2-28-2157 | 5 | R3-28-1527 | 5 |
| R2-28-2187 | 5 | R3-28-3132 | 5 |
| R2-28-2407 | 4 | R3-28-3133 | 5 |
| R2-28-2467 | 4 | R3-28-3198** | 5 |
| R2-28-2717 | 4 | R3-28-7316 | 5 |
| R2-28-2747 | Discontinued Item | R3R-28-3111 | 5 |
| R2-28-2807 | 4 | R3R-28-3113 | 5 |
| R2-28-2827 | 4 | R3R-28-3121 | 5 |
| R2-28-2867 | 4 | | |
| R2-28-2887 | 4 | | |
| R2-28-2907 | Discontinued Item | | |
| R2-28-2927 | 4 | | |
| R2-28-2937 | 4 | | |
| R2-28-2947 | 4 | | |
| R2-28-2957 | 4 | | |
| R2-28-2967 | 4 | | |
| R2-28-2977 | 4 | | |
| R2-28-2987 | 4 | | |
| R2-28-2997 | 4 | | |
| R2-28-3067 | 5 | | |
| R2-28-3087 | 4 | | |
| R2-28-3110 | 4 | | |
| R2-28-3128 | 4 | | |
| R2-28-3158 | 4 | | |
| R2-28-3193 | 5 | | |
| R2-28-3237 | 4 | | |
| R2-28-3257 | 5 | | |
| R2-28-3277 | 5 | | |
| R2-28-3447 | 5 | | |
| R2-28-3817 | 4 | | |
| R2-3-3129 | 7 | | |
| R2-3-3130 | 7 | | |
| R2-3-3131 | 7 | | |
| R2-3-3134 | 7 | | |
| R2-3-6100** | 7 | | |
| R25-2-3138 | 6 | | |
| R25-2-3139 | 6 | | |
| R25-2-3140 | 6 | | |
| R25-2-3141 | 6 | | |
| R25-2-3142 | 6 | | |
| R25-2-3143 | 6 | | |
| R25-2-3144 | 6 | | |
| R25-2-3145** | 6 | | |
| R25-2-3162 | 6 | | |
| R25-2-3163 | 6 | | |

** New addition to MC0414-7 catalog

MANUFACTURER OF DRIVELINE COMPONENTS
1500 11TH AVENUE ROCKFORD, ILLINOIS 61104
PHONE (815) 962-1411 FAX (815) 965-4857
RockfordDriveLine.com