

# ***ROCKFORD***

---

## ***Drive Line***



***High Speed CV***

***CV Joints, Splined Stubs, Boot Kits  
& Crimping Fixtures***

MANUFACTURER OF DRIVELINE COMPONENTS  
1500 11TH AVENUE ROCKFORD, ILLINOIS 61104  
PHONE (815) 962-1411 FAX (815) 965-4857  
[RockfordDriveLine.com](http://RockfordDriveLine.com)



# ***ROCKFORD***

---

## ***Drive Line***

### TABLE OF CONTENTS

	PAGE
CRIMPING FIXTURES	17-18
FLAT JOINT DIMENSIONS	11
HIGH SPEED BOOT KITS	13-16
HIGH SPEED CV JOINTS	4-11
REFERENCE GUIDE	20-21
SPLINED STUBS	12

Notice: The data contained in this catalog has been thoroughly checked for accuracy, however we cannot assume any responsibility for errors, omissions or typographical mistakes that may appear.

All data is property of ©Rockford Drive Line and may not be duplicated or used in any way without written authorization.

# High Speed CV Joints...

Rockford's NEW "FULLY LOADED" C.V. joints are manufactured to meet the design requirements of the original equipment manufacturer. The new assembly includes our super-strength OE designed housing with precision-engineered internal components and a new boot, end cap, grease and hardware required to do the job right.

Rkfd No.

Applications ..... Years

## 361-80 (Rear Joint) - Fixed Design

Jeep Grand Cherokee ..... 1999-2004  
 Jeep Liberty ..... 2002-2007

*Note: This joint appears to be the same as the 361-80D but the inner race is longer on this application.*



## 361-80B (Front Joint) - Plunge Design

Jeep Grand Cherokee ..... 1999-2000  
 Jeep Grand Cherokee- 4.0L ..... 2001-2004  
 Jeep Liberty ..... 2002-2007



## 361-80D

Dodge Dakota (4WD) ..... 2001-2007  
 Dodge Durango (4WD) ..... 2001-2003  
 Jeep Commander ..... 2006-2010  
 Jeep Grand Cherokee ..... 2005-2006  
 Jeep Grand Cherokee (Exc. 3.0L) .... 2007-2010  
 Mitsubishi Raider ..... 2006-2007

*Note: This joint appears to be the same as the 361-80 but the inner race is shorter on this application.*







# High Speed CV Joints...



## 429-80

Chevy Blazer <sup>1</sup> .....	1998-2005
Chevy Blazer (4WD) .....	1995-1997
Chevy S-10 Pickup <sup>1</sup> .....	1997-2004
Chevy S-10 Pickup (4WD) .....	1994-1996
GMC Envoy <sup>1</sup> .....	1998-2000
GMC Jimmy <sup>1</sup> .....	1998-2005
GMC Jimmy (4WD) .....	1995-1997
GMC S-15 Pickup <sup>1</sup> .....	1997-2004
GMC S-15 Pickup (4WD) .....	1994-1996
Isuzu Hombre (4WD) .....	1998-2000

<sup>1</sup> - Application is W/Electronic Transfer Case



## 429-80A

Buick Rainer .....	2004-2007
Chevy Astro & GMC Safari .....	1999-2005
Chevy Blazer & GMC Jimmy <sup>2</sup> .....	1998-2005
Chevy S-10 Pickup <sup>2</sup> .....	1997-2004
Chevy Trailblazer .....	2002-2009
GMC Envoy <sup>2</sup> .....	1999-2009
GMC S-15 Pickup & Sonoma <sup>2</sup> .....	1997-2004
Isuzu Ascender .....	2003-2008
Oldsmobile Bravada .....	1998-2004
Saab 9-7X .....	2005-2006

<sup>2</sup> - Application is W/Push Button Transfer Case



## 435-80 (28 Tooth Inner Race)

Dodge Ram 1500 Pickup .....	2002-2006
Dodge Durango .....	2004-2006



## 437-80

Chevrolet Colorado .....	2004-2012
GMC Canyon .....	2004-2012
Hummer H3 .....	2006-2010
Isuzu I350 .....	2006
Isuzu I370 .....	2007-2008

# High Speed CV Joints...

## 450-80

Saturn Vue (AWD) ..... 2002-2007



## 450-80B

Chevy Equinox (AWD) ..... 2007-2011  
Dodge Nitro (4x4) ..... 2007-2011  
GMC Terrain (AWD) ..... 2010-2011  
Jeep Liberty (4X4) ..... 2008-2012  
Pontiac Torrent (AWD) ..... 2007-2009



## 451-80

Kia Sorento AT 3.5L (F/T 4WD) ..... 2003-2006  
Pontiac Solstice ..... 2006-2010  
Saturn Sky ..... 2007-2010



## 452-80

Chevrolet Equinox ..... 2005-2006  
Pontiac Torrent ..... 2006





# High Speed CV Joints...



## **454-80**

Ford Escape (AWD) Exc. Hybrid) ..... 2005-2007  
Ford Escape (AWD)..... 2001-2004  
Jeep Commander ..... 2007-2010  
Jeep Grand Cherokee ..... 2007-2010  
Mercury Mariner ..... 2005-2007  
Mazda Tribute..... 2001-2006



## **456-80 - (Fixed End)**

Ford Mustang (4.6L 3V)..... 2005-2010  
Ford Mustang -5.0L ..... 2011-2013  
Ford Mustang Shelby GT500-5.4L ... 2011-2012



## **456-80B - (Plunge End)**

Ford Mustang -4.6L 3V ..... 2005-2010  
Ford Mustang -5.0L ..... 2011-2013  
Ford Mustang Shelby GT500-5.4L ... 2011-2012



## **457-80 - (Fixed End)**

Ford Expedition ..... 2007-2012  
Ford F150 6 spd (6R80) ..... 2009-2013  
Ford F150 5.0L & 6.2L..... 2011-2013  
Ford F150 Raptor ..... 2011-2013  
Lincoln Navigator..... 2007-2012

# High Speed CV Joints...

## 457-80B - (Plunge End)

Ford Expedition .....	2007-2012
Ford F150 6 spd (6R80) .....	2009-2013
Ford F150 5.0L & 6.2L.....	2011-2013
Ford F150 Raptor .....	2011-2013
Lincoln Navigator.....	2007-2012



## 471-80

Buick Rendezvous (AWD) .....	2002-2006
Chevy Venture (AWD) .....	2002-2005
Oldsmobile Silhouette (AWD) .....	2002-2004
Pontiac Aztek (AWD) .....	2001-2005
Pontiac Montana (AWD).....	2002-2005



## 475-80 - (Cross Groove- 78mm)

Volvo S40 .....	2005-2010
Volvo S60 (With 24 Teeth) .....	*2002-2009
Volvo V50 .....	2005-2010
Volvo V70 (With 24 Teeth) .....	*2000-2007
Volvo V70 XC (With 24 Teeth) .....	*2001-2007
Volvo XC90 (With 24 Teeth) .....	*2003-2013



***\*Check dimensions on page 11 to identify proper cv prior to ordering.***

## 476-80 - (Cross Groove- 86mm)

Volvo S60 (With 19 Teeth) .....	*2002-2009
Volvo S70 (With 19 Teeth) .....	*1998-2000
Volvo S80 (Plunging End).....	*2007-2011
Volvo V70 (Plunging End).....	*2008-2010
Volvo V70 (With 19 Teeth) .....	*1998-2007
Volvo V70 XC (With 19 Teeth) .....	*1998-2007
Volvo XC70 (Plunging End) .....	*2008-2011
Volvo XC90 (With 19 Teeth) .....	*2003-2013



***\*Check dimensions on page 11 to identify proper cv prior to ordering.***

# High Speed CV Joints...

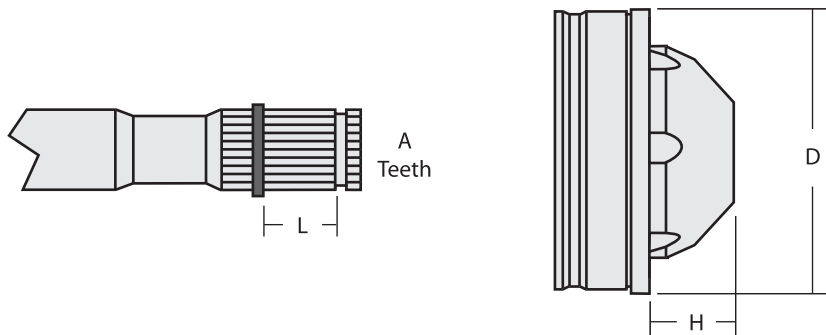


## 477-80 - (Rzeppa- 86mm)

Volvo S60 .....	2011-2012
Volvo S80 (Fixed End).....	*2007-2012
Volvo S80L.....	2008-2013
Volvo V60 .....	2011-2012
Volvo V70 (Fixed End).....	*2008-2012
Volvo XC60.....	2009-2012
Volvo XC70 (Fixed End) .....	*2008-2012

**\*Check dimensions below to identify proper cv prior to ordering.**

### Flat Joint Dimensions



Part No.	Housing OD Outside Dia. D	Number of Teeth A	Spline / Race Length L	Mounting Depth H	Design
361-80	100mm	25T	0.950	0.520	Rzeppa
361-80B	100mm	25T	1.655	1.390	Cross Groove
361-80D	100mm	25T	0.906	0.520	Rzeppa
363-80	100mm	35T	1.078	0.328	Rzeppa
424-80	100mm	25T	1.315	1.055	Cross Groove
425-80	100mm	25T	1.230	1.055	Cross Groove
426-80	86mm	21T		0.480	Rzeppa
427-80	107mm	27T	1.287	1.200	Cross Groove
428-80	107mm	26T	1.290	1.200	Cross Groove
450-80	100mm	30T	1.481	1.390	Cross Groove
450-80B	100mm	30T	1.481	1.390	Cross Groove
451-80	94mm	24T	0.946	0.640	Cross Groove
452-80	85mm	25T	1.143	1.290	Cross Groove
454-80	100mm	26T	1.532	1.370	Cross Groove
456-80	112mm	30T	1.115	0.600	Rzeppa
456-80B	119mm	30T	1.380	1.094	Cross Groove
457-80	108mm	28T	1.048	0.325	Rzeppa
457-80B	114mm	28T	1.458	1.340	Cross Groove
471-80	100mm	25T	1.655	1.055	Cross Groove
475-80	78mm	24T	0.825	0.615	Cross Groove
476-80	86mm	19T	1.025	0.583	Cross Groove
477-80	86mm	19T	0.745	0.583	Rzeppa

## Replacement Splines for High Speed CV Joints...



RDL Part Number	Tooth Count	Fits Tube Dia/Wall	Butt Diameter	End of Spline to Weld
361-31	25T/1.075	OEM	1.615	4.750*
361-31A	25T/1.075	2.000 / .120	1.765	4.250
361-31B	25T/1.075	OEM	1.615	8.875*
361-31C	25T/1.075	2.000 / .120	1.765	8.375
361-31D	25T/1.075	OEM	1.788	4.750*
361-31E	25T/1.075	2.000 / .120	1.765	4.250
363-31	35T/1.091	3.000 / .065	2.878	5.063
363-31A	35T/1.091	3.000 / .083	2.842	4.563
421-31	22T/0.995	2.000 / .120	1.765	4.375
421-31A	22T/0.995	1.250 / .189	0.890	4.375
426-31	<i>Under development - Check with sales for availability</i>			
427-31	27T/1.125	2.000 / .120	1.765	4.875
428-31	<i>Under development - Check with sales for availability</i>			
428-31A	<i>Under development - Check with sales for availability</i>			
429-31	22T/0.995	2.000 / .083	1.850	4.375
435-31	28T/1.195	OEM	2.215	5.188*
435-31A	28T/1.195	2.500 / .083	2.344	4.750
437-31	34T/1.085	2.000 / .065	1.889	4.500
437-31A	34T-1.085	2.000 / .120	1.765	4.538
450-31	30T/0.962	OEM	1.716	7.500*
450-31A	30T/0.962	2.000 / .120	1.765	7.250
452-31	25T/0.776	OEM	1.719	7.125*
452-31A	25T/0.776	2.000 / .120	1.765	6.406
454-31	26T/1.125	2.500 / .065	2.378	7.250

\* Stub made 1/2" longer then OEM to allow for cut off

# High Speed Boot Kits...

**Over the years a number of original equipment manufacturers have introduced drive-shafts that incorporate cage & ball or cross groove constant velocity joint technology. According to many of these manufactures, these driveshafts are non-repairable and no replacement components are available. Rockford supplies HIGH SPEED BOOTS for a majority of these “non-repairable” applications.**

Boot Kits include:

1-Boot Assembly, End Cap, Grease, Installation Instructions & Any Misc. Hardware Required.

## THE INDUSTRY’S BROADEST COVERAGE

<b>Kit Number</b>	<b>Application</b>	<b>Year</b>
<b>320-21C</b>	BMW 525i .....	1989-1992
	BMW 533i .....	1983-1984
	BMW 535i .....	1985-1992
	BMW 635Csi .....	1983-1986
	BMW 735iL.....	1989-1991
<b>361-21*</b>	Dodge Dakota (4WD).....	2001-2007
	Dodge Durango (4WD) .....	2001-2003
	Jeep Commander (4WD).....	2007-2010
	Jeep Grand Cherokee (4WD) .....	1999-2010
	Jeep Liberty- (Rear Joint)- Fixed Design .....	2002-2007
	Mitsubishi Raider (4WD).....	2006-2007
<b>361-21B*</b>	Jeep Grand Cherokee (4WD) .....	1999-2004
	Jeep Liberty- (Front Joint)- Plunge Design .....	2002-2007
<b>361-21D</b>	(Replaced with 361-21)	
<b>363-21</b>	Jeep Wrangler (8 Hole CV).....	2007-2013
	Jeep Wrangler Rubicon 3.8L (8 Hole CV).....	2007-2013
<b>419-21</b>	Chevrolet Astro Van (AWD).....	1990-1991
	Ford Bronco II ( <b>Exc.</b> 6/89-90 2WD) .....	1985-1990
	GMC Safari Van (AWD) .....	1990-1991
	Jeep Cherokee.....	1984-1987
	Jeep Wagoneer.....	1984-1987
<b>419-21A</b>	GMC Syclone.....	1991-1993
	GMC Typhoon.....	1991-1993
<b>420-21</b>	Ford Bronco II 2WD (6/89-up).....	1989-1990

\*Crimping Fixture is available but not required to service these kits (see pgs 13-14)

## THE INDUSTRY'S BROADEST COVERAGE

<b>Kit Number</b>	<b>Application</b>	<b>Year</b>
<b>421-21*</b>	Chevrolet Astro Van (AWD).....	1992-1998
	Chevrolet Blazer (AWD).....	1995-1997
	GMC Jimmy (AWD).....	1995-1997
	GMC Safari Van (AWD) .....	1992-1998
	Pontiac 6000 (AWD) .....	1988-1990
	Oldsmobile Bravada.....	1991-1997
<b>421-21C</b>	Chevrolet Camaro V6 (check stock, discontinuing when gone).	1993-2002
	Pontiac Firebird V6 .....	1993-2002
<b>424-21*</b>	Buick Rendezvous (AWD)- (Rear CV) Large .....	2002-2006
	Chevy Venture (AWD)- (Rear CV) Large .....	2002-2005
	Chrysler Town & Country (AWD)- (Rear CV) Large .....	2001-2004
	Dodge Caravan (AWD)- (Rear CV) Large .....	2001-2004
	Jeep Grand Cherokee Auto Trans .....	1993-1998
	Oldsmobile Silhouette (AWD)- (Rear CV) Large.....	2002-2004
	Pontiac Aztek (AWD)- (Rear CV) Large.....	2001-2005
	Pontiac Montana (AWD)- (Rear CV) Large.....	2002-2005
<b>426-21*</b>	Buick Rendezvous (AWD)- (Front CV) Small Rzeppa .....	2002-2006
	Chevy Venture (AWD)- (Front CV) Small Rzeppa .....	2002-2005
	Chrysler Town & Country (AWD)- (Front CV) Small Rzeppa .....	2001-2004
	Dodge Caravan (AWD)- (Front CV) Small Rzeppa.....	2001-2004
	Oldsmobile Silhouette (AWD)- (Front CV) Small Rzeppa.....	2002-2004
	Pontiac Aztek (AWD)- (Front CV) Small Rzeppa .....	2001-2005
	Pontiac Montana (AWD)- (Front CV) Small Rzeppa.....	2002-2005
<b>427-21A</b>	Ford Explorer (4WD).....	1997-2010
	Ford Ranger (4WD) .....	1998-2011
	Lincoln Aviator (4WD) .....	2003-2005
	Mazda B-3000 Pickup (4WD) .....	1998-2003
	Mazda B-4000 Pickup (4WD) .....	1998-2010
	Mercury Mountaineer (4WD).....	1997-2010
<b>429-21*</b>	Buick Rainer.....	2004-2007
	Chevrolet Astro Van (AWD).....	1999-2005
	Chevrolet Blazer (4WD) .....	1995-2005
	Chevrolet Trailblazer .....	2002-2009
	Chevrolet S-10 Pickup (4WD).....	1994-2004
	GMC Envoy.....	1998-2009
	GMC Jimmy (4WD).....	1995-2005
	GMC Safari Van .....	1999-2005
	GMC S-15 Pickup (4WD).....	1994-2004
	Isuzu Ascender (4WD) .....	2003-2008
	Isuzu Hombre (4WD) .....	1998-2000
	Oldsmobile Bravada (4WD) .....	1998-2004
	Saab 9-7X.....	2005-2006

\*Crimping Fixture is available but not required to service these kits (see pgs 13-14)

## THE INDUSTRY'S BROADEST COVERAGE

<b>Kit Number</b>	<b>Application</b>	<b>Year</b>
<b>435-21*</b>	Dodge Ram 1500 Pickup .....	2002-2006
	Dodge Durango.....	2004-2006
<b>437-21*</b>	Chevrolet Colorado.....	2004-2012
	GMC Canyon .....	2004-2012
	Hummer H3.....	2006-2010
	Isuzu I350 .....	2006
	Isuzu I370 .....	2007-2008
<b>450-21*</b>	Saturn Vue (AWD) .....	2002-2007
<b>450-21B</b>	Chevrolet Equinox (AWD Rear) .....	2007-2011
	GMC Terrain (AWD Rear) .....	2010-2011
	Jeep Liberty (4WD Front).....	2008-2012
	Pontiac Torrent (AWD Rear) .....	2007-2009
<b>451-21</b>	Kia Sorento AT 3.5L (Full Time 4WD) .....	2003-2006
	Pontiac Solstice .....	2006-2010
	Saturn Sky .....	2007-2010
<b>452-21*</b>	Chevrolet Equinox.....	2005-2006
	Pontiac Torrent.....	2006
<b>454-21*</b>	Ford Escape (AWD).....	2001-2007
	Jeep Commander .....	2007-2010
	Jeep Grand Cherokee.....	2007-2010
	Mercury Mariner (AWD) .....	2005-2007
	Mazda Tribute .....	2001-2006
<b>456-21</b>	Ford Mustang (4.6L 3V)- Fixed End.....	2005-2010
	Ford Mustang (5.0L)- Fixed End.....	2011-2013
	Ford Mustang Shelby GT 500 (5.4L)- Fixed End .....	2011-2012
<b>456-21B</b>	Ford Mustang (4.6L 3V)- Plunge End .....	2005-2010
	Ford Mustang (5.0L)- Plunge End.....	2011-2013
	Ford Mustang Shelby GT 500 (5.4L)- Plunge End.....	2011-2012
<b>457-21</b>	Ford Expedition- Fixed End .....	2007-2012
	Ford F150 5.0L & 6.2L- Fixed End.....	2010-2013
	Ford F150 6 Spd (6R80)- Fixed End.....	2009-2013
	Ford F150 Raptor- Fixed End .....	2010-2013
	Lincoln Navigator- Fixed End.....	2007-2012
<b>457-21B</b>	Ford Expedition- Plunge End.....	2007-2012
	Ford F150 5.0L & 6.2L- Plunge End .....	2010-2013
	Ford F150 6 Spd (6R80)- Plunge End .....	2009-2013
	Ford F150 Raptor- Plunge End.....	2010-2013
	Lincoln Navigator- Plunge End .....	2007-2012

\*Crimping Fixture is available but not required to service these kits (see pgs 13-14)

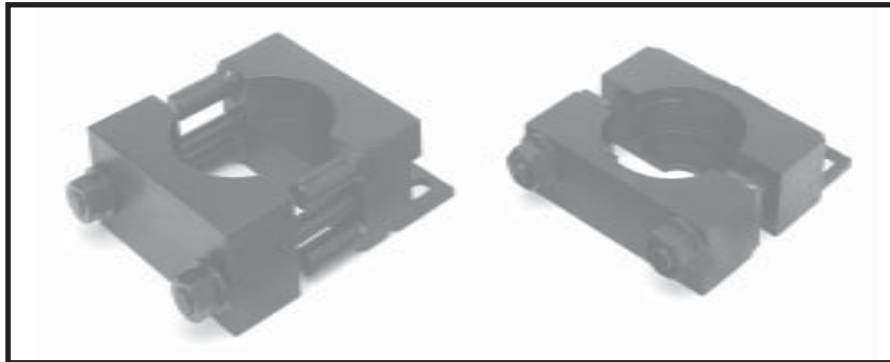
## THE INDUSTRY'S BROADEST COVERAGE

<b>Kit Number</b>	<b>Application</b>	<b>Year</b>
<b>804-21*</b>	BMW 735i (Stud Style CV).....	1987-1992
	BMW 735iL (Stud Style CV).....	1988-1989
	BMW 750iL (Stud Style CV).....	1988-1991
	BMW M5 (Stud Style CV) .....	1991
<b>804-21C</b>	BMW 735i (Thru-Bolt Style CV) .....	1987-1992
	BMW 735iL (Thru-Bolt Style CV) .....	1988-1989
	BMW 750iL (Thru-Bolt Style CV) .....	1988-1991
	BMW M5 (Thru-Bolt Style CV) .....	1991
	Porsche Cayenne .....	2003-2010
	Volkswagen Touareg.....	2004-2008
<b>805-21A</b>	Mazda MPV .....	1989-1991
	Subaru SVX .....	1992-1993
<b>806-21A</b>	Discontinued (No longer offered)	
<b>808-21A</b>	Nissan 300ZX Twin Turbo.....	1990-1996
	BMW 740i W/ E32 Body Style .....	1993-1994
	BMW 740iL W/ E32 Body Style .....	1993-1994



# High Speed Boot Crimping Fixtures...

Rockford now offers a wide selection of fixtures that will professionally crimp high speed DURA-BOOTS onto the original equipment housing. Each fixture assures you of a positive seal that keeps lubricants in and contaminants out.



<b>Crimping Fixture</b>	<b>Boot Kit Number</b>	<b>Applications</b>	<b>Years</b>
<b>100-14TG</b>	421-21	Chevrolet Astro Van (AWD) .....	1992-1998
		Chevrolet Blazer (AWD) .....	1995-1997
		GMC Jimmy (AWD) .....	1995-1997
		GMC Safari Van (AWD) .....	1992-1998
		Pontiac 6000 (AWD) .....	1989-1990
		Oldsmobile Bravada .....	1991-1997
<b>100-14TN</b>	804-21	BMW 735i (Stud Style CV) .....	1987-1992
		BMW 735iL (Stud Style CV) .....	1988-1989
		BMW 750iL (Stud Style CV) .....	1988-1991
		BMW M5 (Stud Style CV) .....	1991
<b>100-14TO</b>	424-21	Chrysler Town & Country (AWD)- Plunging Joint .....	2001-2004
		Dodge Caravan (AWD)- Plunging Joint .....	2001-2004
		Jeep Grand Cherokee Auto Trans .....	1993-1998
<u><i>Crimps the boot flange &amp; end cap in one step</i></u>			
<b>100-14TP</b>	429-21	Buick Rainer .....	2004-2007
		Chevrolet Astro Van (AWD) .....	1999-2005
		Chevrolet Blazer (4WD) .....	1995-2005
		Chevrolet Trailblazer .....	2002-2009
		Chevrolet S-10 Pickup (4WD) .....	1994-2004
		GMC Envoy .....	1998-2009
		GMC Jimmy (4WD) .....	1995-2005
		GMC Safari Van .....	1999-2005
		GMC S-15 Pickup (4WD) .....	1994-2004
		Isuzu Ascender (4WD) .....	2003-2008
		Isuzu Hombre (4WD) .....	1998-2000
		Oldsmobile Bravada (4WD) .....	1998-2004
Saab 9-7X .....	2005-2006		
<b>100-14TQ</b>	361-21	Jeep Grand Cherokee .....	1999-2004
		Jeep Liberty- (Rear Joint)- Fixed Design .....	2002-2007
		<u><i>Crimps the boot flange &amp; end cap in one step</i></u>	





# High Speed Boot Crimping Fixtures...

<b>Crimping Fixture</b>	<b>Boot Kit Number</b>	<b>Applications</b>	<b>Years</b>
<b>100-14TQ</b>	361-21D	Dodge Dakota (4WD) .....	2001-2007
		Dodge Durango (4WD).....	2001-2003
		Jeep Commander (4WD) .....	2007-2010
		Jeep Grand Cherokee (4WD).....	2005-2010
		Mitsubishi Raider (4WD) .....	2006-2007
<u><i>Crimps the boot flange &amp; end cap in one step</i></u>			
<b>100-14TR</b>	361-21B	Jeep Grand Cherokee (4WD).....	1999-2004
		Jeep Liberty- (Front Joint)- Plunge Design.....	2002-2007
<u><i>Crimps the boot flange &amp; end cap in one step</i></u>			
<b>100-14TS</b>	437-21	Chevrolet Colorado .....	2004-2011
		GMC Canyon.....	2004-2011
		Hummer H3 .....	2006-2010
		Isuzu I350.....	2006
		Isuzu I370.....	2007-2008
<b>100-14TT</b>	435-21	Dodge Ram 1500 Pickup .....	2002-2006
		Dodge Durango .....	2004-2006
<b>100-14TU</b>	450-21	Saturn Vue (AWD) .....	2002-2007
<b>100-14TV</b>	452-21	Chevrolet Equinox .....	2005-2006
		Pontiac Torrent .....	2006
<b>100-14TW</b>	454-21	Ford Escape .....	2001-2007
		Mercury Mariner .....	2005-2007
		Mazda Tribute.....	2001-2006
<b>100-14TX</b>	436-21	Dodge Ram 1500 Pickup - 8 Ball CV Joint.....	2007-up
<b>100-14TZ</b>	363-80	Jeep JK Wrangler .....	2007-2013







## Reference Guide...

*A handy guide for you to use when looking for the crimping fixture needed for a High Speed CV Joint or Boot Kit. Use it for finding what Boot Kit is used for a CV Joint or even when you want to know what spline to use when making a driveshaft assembly.*

			
High Speed CV Joint Kits	Crimping Fixtures	Replacement Splines	High Speed CV Boot Kits
***	***	***	320-21C
361-80	100-14TQ	361-31 361-31A	361-21
361-80B	100-14TR	361-31B 361-31C	361-21B
361-80D	100-14TQ	361-31D 361-31E	361-21
363-80	100-14TZ	363-31 363-31A	363-21
***	***	***	419-21
***	***	***	419-21A
***	***	***	420-21
421-80	100-14TG	421-31 421-31A	421-21
421-80C	***	421-31C	421-21C
424-80	100-14TO	***	424-21
425-80			424-21
426-80		426-31	426-21
427-80	***	427-31	427-21A
428-80		428-31	
		428-31A	427-21A
429-80	100-14TP	429-31	429-21
429-80A	100-14TP	429-31	429-21
		421-31A	
435-80	100-14TT	435-31 435-31A	435-21
437-80	100-14TS	437-31 437-31A	437-21
450-80	100-14TU	450-31	450-21
		450-31A	
450-80B			450-21B
451-80	***	***	451-21

## Reference Guide...

*A handy guide for you to use when looking for the crimping fixture needed for a High Speed CV Joint or Boot Kit. Use it for finding what Boot Kit is used for a CV Joint or even when you want to know what spline to use when making a driveshaft assembly.*

			
High Speed CV Joint Kits	Crimping Fixtures	Replacement Splines	High Speed CV Boot Kits
452-80	100-14TV	452-31 452-31A	452-21
454-80	100-14TW	454-31	454-21
456-80	***	***	456-21
456-80B	***	***	456-21B
457-80	***	***	457-21
457-80B	***	***	457-21B
471-80			471-21
475-80			***
476-80			***
477-80			***
***	100-14TN	***	804-21
***	***	***	804-21C
***	***	***	805-21A
***	***	***	808-21A





MANUFACTURER OF DRIVELINE COMPONENTS  
1500 11TH AVENUE ROCKFORD, ILLINOIS 61104  
PHONE (815) 962-1411 FAX (815) 965-4857  
[RockfordDriveLine.com](http://RockfordDriveLine.com)