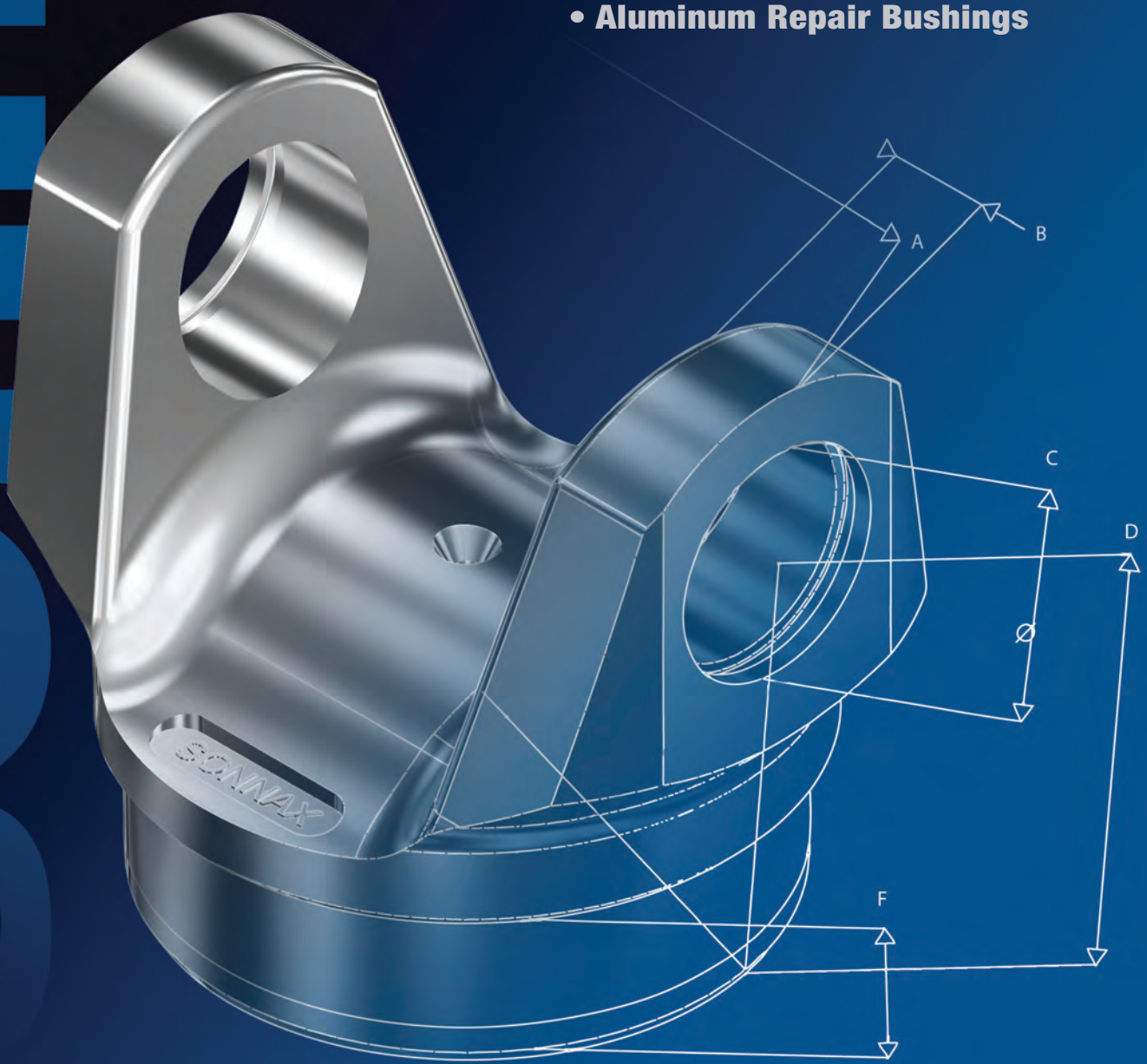


sonnax®

sonnax® DRIVELINE PRODUCTS CATALOG VOL 3

- Aluminum Weld Yokes
- Aluminum Tubing
- Aluminum Repair Bushings



sonnax[®] DRIVELINE

Since our founding in 1978, the Sonnax name has become synonymous with the highest quality products for the automotive aftermarket.

Today we are proud to design and manufacture the industry's best aluminum driveline components.



Aluminum Repair Bushings

- Manufactured from 6061-T6 aluminum
- .250" Thick for consistent welds
- 3" Length for use as an extension
- Various sizes offered to repair OE tubes with .125" weld yokes

Aluminum Tubing

- OE-quality Alcoa[®] tubing ordered to Sonnax specifications
- Surpasses ATSM B210-04 specification
- Custom lengths available in crate quantities

Aluminum Weld Yokes

- Forged 6061-T6 aluminum
- Machined to the industry's most exacting tolerances
- Extra-thick pilot weld wall for consistent welds

Our Quality & Service Guarantee

Yokes and bushings are precision machined by skilled craftsmen at our Vermont manufacturing facility.

Consistent yoke and tubing quality ensures easy assembly, saving you time and money.

Shipments are available from both East and West Coast locations.

More than 95% of orders ship the same day from our automated warehouse.

Aluminum Weld Yokes

Sonnax Part No.	Description	Application
T31-28-3012	3.0" x .125" Tube	1310 Series
T31-28-3512	3.5" x .125" Tube	1310 Series
T33-28-3012	3.0" x .125" Tube	1330 Series
T33-28-3512	3.5" x .125" Tube	1330 Series
T33-28-4012	4.0" x .125" Tube	1330 Series
T33-28-5012	5.0" x .125" Tube	1330 Series
T35-28-3012	3.0" x .125" Tube	1350 Series
T35-28-3512	3.5" x .125" Tube	1350 Series
T35-28-4012	4.0" x .125" Tube	1350 Series
T35-28-5012	5.0" x .125" Tube	1350 Series
T41-28-5012	5.0" x .125" Tube	1410 Series
T48-28-5012	5.0" x .125" Tube	1480 Series
T3R-28-3012	3.0" x .125" Tube	3R Series
T3R-28-3512	3.5" x .125" Tube	3R Series

Aluminum Tubing by Alcoa[®]

Sonnax Part No.	Description
T300-125-54	3.0" x .125" Tube x 54"
T350-125-54	3.5" x .125" Tube x 54"
T350-125-72	3.5" x .125" Tube x 72"
T400-125-72	4.0" x .125" Tube x 72"
T500-125-80	5.0" x .125" Tube x 80"

Aluminum Repair Bushings

Sonnax Part No.	Description
T300-125-083	3.0" Dia. for use with .083" tube & .125" weld yokes
T300-125-125	3.0" Dia. for use with .125" tube & .125" weld yokes
T350-125-083	3.5" Dia. for use with .083" tube & .125" weld yokes
T350-125-125	3.5" Dia. for use with .125" tube & .125" weld yokes
T400-125-083	4.0" Dia. for use with .083" tube & .125" weld yokes
T400-125-125	4.0" Dia. for use with .125" tube & .125" weld yokes
T500-125-065	5.0" Dia. for use with .065" tube & .125" weld yokes
T500-125-083	5.0" Dia. for use with .083" tube & .125" weld yokes
T500-125-125	5.0" Dia. for use with .125" tube & .125" weld yokes

For more information, visit our online catalog at www.sonnax.com or call (800) 843-2600 or (802) 463-9722.

sonnax®

Sonnax is a diversified supplier of specialized drivetrain products to the automotive and commercial vehicle industries, and to industrial sectors utilizing drivetrain technology. We design, manufacture, test and distribute a wide variety of components used to remanufacture torque converters, to rebuild automatic transmissions, and to protect driveshafts and associated components from over-torque damage.

sonnax®
POWER TRAIN SAVERS®



Dependable & Affordable Drivetrain Protection

Power Train Savers are patented drivetrain protection devices which mount into your existing driveshaft. Once installed, these unique devices protect the drivetrain from over-torque damage that can ruin differentials, gears, axles and driveshafts.

With a Power Train Saver installed, you won't notice a difference in performance until you encounter an over-torque situation. Then, our precisely calibrated Torque Fuses® shear before drivetrain damage can occur, while the unit design holds the driveshaft in place.

If costly repairs to drivetrain components aren't a concern, consider the collateral damage caused by a broken driveshaft, including damage to hydraulic lines, fuel tank, air lines, etc. Add to that costly downtime waiting for a wrecker and repairs, and the benefits of installing Power Train Savers quickly add up.

Learn more about Power Train Savers at www.sonnax.com or call (800) 843-2600 or (802) 463-9722.

Warranty Policy

Sonnax warrants to the purchaser that each part manufactured or supplied by Sonnax will be free from defects in material or in factory workmanship. The warranty period shall extend for six (6) months from the date of sale. Sonnax must receive all warranty claims before the end of the warranty period.

If Sonnax determines that the part is defective in material or in factory workmanship, Sonnax will, at its option, repair or replace the defective part, or issue an account credit for the purchase price. This remedy is Sonnax's sole liability and the sole remedy provided by Sonnax for any breach of warranty.

All warranty returns must be pre-approved. Please contact Sonnax if you have a part to be returned under this warranty.

This Warranty will not cover: Removal and replacement labor costs; Loss of time, inconvenience or other consequential damage; Any Sonnax part that has been:

Subject to misuse, negligence; alteration or improper maintenance; Improperly installed in the judgment of Sonnax, so as to adversely affect its performance and reliability.

This warranty is the only warranty applicable to parts manufactured or supplied by Sonnax, and is expressly in lieu of any other warranties, expressed or implied, including any implied warranty of merchantability or fitness for a particular purpose. Any representations or descriptions in brochures, ads or catalogs are approximate only and will not create any warranty or other obligation by Sonnax. There are no warranties which extend beyond the description on the face hereof.

Sonnax does not authorize any person to create for it any other obligation or liability in connection with these parts. Sonnax shall not be liable for any incidental or consequential damage, lost profits, lost savings or punitive damages resulting from any breach of warranty.

Driveline Products Catalog Vol. 3

Sonnax Industries, Inc. • 1 Automatic Drive • P.O. Box 440 • Bellows Falls, VT 05101-0440 USA

Contact us 8:30 a.m. to 5 p.m. ET • (800) 843-2600 • (802) 463-9722 • fax (802) 463-4059 • www.sonnax.com

© 2010 Sonnax Industries, Inc.