
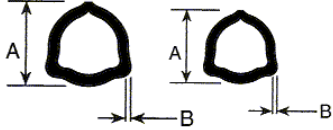




## TRIANGULAR TUBED PTO DRIVESHAFTS

### Technical Data

| SIZE |  |  | 540 RPM |        | 1000 RPM |        | DYNAMIC TORQUE<br>IN. LB |
|------|---|---|---------|--------|----------|--------|--------------------------|
|      |   |   | HP      | IN. LB | HP       | IN. LB |                          |
| 1    | 22X54   | A=36 B=3.2    A=29 B=4  | 16      | 1850   | 25       | 1500   | 2850                     |
| 2    | 23.8X61.3   | A=36 B=3.2    A=29 B=4  | 21      | 2400   | 31       | 1950   | 4000                     |
| 3    | 27X70   | A=43.5 B=3.4    A=36 B=3.2  | 30      | 3450   | 47       | 2920   | 5660                     |
| 4    | 27X74.6   | A=43.5 B=3.4    A=36 B=4  | 35      | 4050   | 55       | 3350   | 6900                     |
| 5    | 30.2X80   | A=51 B=2.9    A=44.5 B=3.8  | 47      | 5500   | 74       | 4600   | 9300                     |
| 6    | 30.2X92   | A=54 B=4    A=44.5 B=4  | 64      | 7350   | 100      | 6250   | 12850                    |
| 7    | 35X94   | A=54 B=4    A=44.5 B=5.5  | 75      | 8600   | 118      | 7350   | 15950                    |
| 7N   | 30.2x106.5  | A=54 B=4    A=44.5 B=5.5  | 75      | 8600   | 118      | 7350   | 15950                    |
| 8    | 35X106.5  | A=54 B=4    A=44.5 B=5.5  | 95      | 10950  | 150      | 9300   | 19900                    |

- Values related to 5 degree joint angels and 1000 hours life.

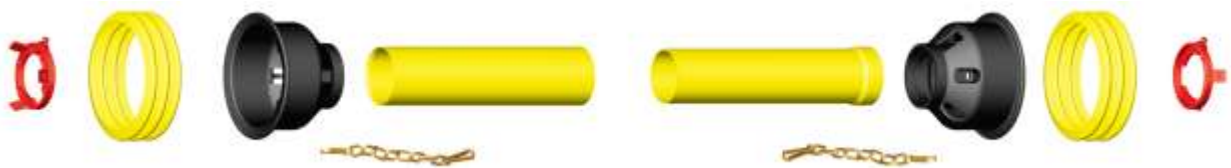


## Driveshaft Assemblies less/tractor & implement yokes



| Series | Length  | Part Number |
|--------|---------|-------------|
| 1      | 1410 MM | -           |
| 2      | 1410 MM | T2-1410C    |
| 3      | 1410 MM | -           |
| 4      | 1410 MM | T4-1410C    |
| 5      | 1410 MM | -           |
| 6      | 1410 MM | T6-1410C    |
| 7      | 1410 MM | -           |
| 8      | 1410 MM | T8-1410C    |

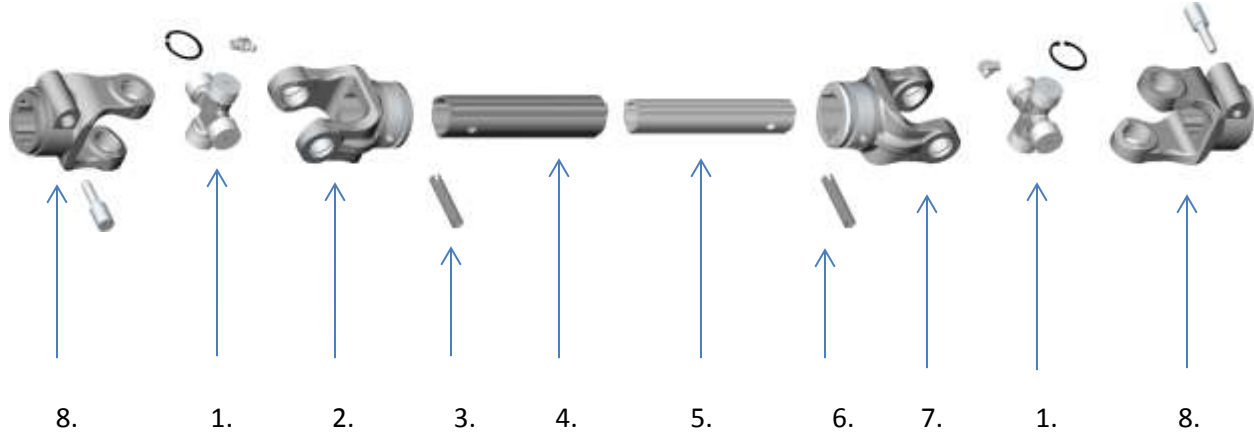
## Shield Assemblies



| Series | Length  | Part Number  |
|--------|---------|--------------|
| 1      | 1410 MM | T1-SS1410C-B |
| 2      | 1410 MM | T2-SS1410C-B |
| 3      | 1410 MM | T2-SS1410C-B |
| 4      | 1410 MM | T4-SS1410C-B |
| 5      | 1410 MM | T5-SS1410C-B |
| 6      | 1410 MM | T6-SS1410C-B |
| 7      | 1410 MM | T6-SS1410C-B |
| 8      | 1410 MM | T8-SS1410C-B |



## Standard Components



|        | 1.              | 2.                 | 3.       | 4.            | 5.           | 6.       | 7.                |
|--------|-----------------|--------------------|----------|---------------|--------------|----------|-------------------|
| Series | Universal Joint | Outboard Tube Yoke | Roll Pin | Outboard Tube | Inboard Tube | Roll Pin | Inboard Tube Yoke |
| T1     | -               | T1-70              | RP0850   | T1-601500     | T1-401500    | RP0850   | T1-30             |
| T2     | T2-00           | T2-70              | RP0860   | T2-601500     | T2-401500    | RP0850   | T2-30             |
| T3     | -               | T3-70              | RP0860   | T2-601500     | T2-401500    | RP0860   | T3-30             |
| T4     | T4-00           | T4-70              | RP0860   | T4-601500     | T4-401500    | RP0860   | T4-30             |
| T5     | T5-00           | T5-70              | RP1080   | T5-601500     | T5-401500    | RP1070   | T5-30             |
| T6     | T6-00           | T6-70              | RP1080   | T6-601500     | T6-401500    | RP1070   | T6-30             |
| T7     | T7-00           | T7-70              | RP1080   | T6-601500     | T7-401500    | RP1070   | T7-30             |
| T7N    | -               | T7N-70             | RP1080   | T8-601500     | T8-401500    | RP1080   | T7N-30            |
| T8     | T8-00           | T8-70              | RP1085   | T8-601500     | T8-401500    | RP1080   | T8-30             |


## Outboard Yokes

|        | 540 RPM 1-3/8"<br>6 Spl | 1000 RPM 1-3/8"<br>21 Spl | 1000 RPM 1-3/8"<br>21 Spl | 540 RPM 1-3/4"<br>6 Spl | 1000 RPM 1-3/4"<br>20 Spl |
|--------|-------------------------|---------------------------|---------------------------|-------------------------|---------------------------|
| Series | Quick Disconnect        | Quick Disconnect          | Clamp Yoke                | Quick Disconnect        | Clamp Yoke                |
| 1      | T1-1010                 | T1-1012                   | -                         | -                       | -                         |
| 2      | T2-1010                 | T2-1012                   | -                         | -                       | -                         |
| 3      | T3-1010                 | T3-1012                   | -                         | -                       | -                         |
| 4      | T4-1010                 | T4-1012                   | -                         | -                       | -                         |
| 5      | T5-1010                 | -                         | -                         | -                       | -                         |
| 6      | T6-1010                 | T6-1012                   | -                         | -                       | -                         |
| 7      | T7-1010                 | T7-1012                   | -                         | -                       | -                         |
| 7N     | T7N-1010                | T7N-1012                  | -                         | -                       | -                         |
| 8      | T8-1010                 | T8-1012                   | T8-1112                   | -                       | T8-1117                   |




## Torque Limiting Devices

### Friction Clutches

|  | 540 RPM 1-3/8"<br>6 Spl | 1000 RPM 1-3/8"<br>21 Spl | 540 RPM 1-3/4"<br>6 Spl | 1000 RPM 1-3/4"<br>20 Spl | Maximum<br>Torque |
|---|-------------------------|---------------------------|-------------------------|---------------------------|-------------------|
| Series  | Quick Disconnect        | Quick Disconnect          | Quick Disconnect        | Clamp Yoke                |                   |
| 1   | -                       | -                         | -                       | -                         | -                 |
| 2   | -                       | -                         | -                       | -                         | -                 |
| 3   | -                       | -                         | -                       | -                         | -                 |
| 4   | T4-FF90010              | T4-FF90012                | -                       | -                         | 1000 Nm           |
| 5   | T5-FF120010             | T5-FF120012               | -                       | -                         | 1500 Nm           |
| 6   | T6-FF120010             | T6-FF120012               | -                       | -                         | 1800 Nm           |
| 6   | T6-FF200010             | T6-FF20012                | -                       | T6-FF200017               | 2000 Nm           |
| 7   | -                       | T7-FF200012               | -                       | T7-FF200017               | 2500 Nm           |
| 7N  | -                       | T7N-200012                | -                       | T7N-FF200017              | 2500 Nm           |
| 8   | T8-FF200010             | -                         | -                       | -                         | 2500 Nm           |
| 8   | -                       | T8-FF250012               | -                       | T8-FF250017               | 2500 Nm           |




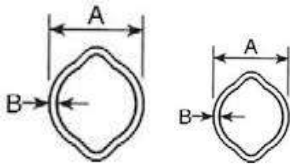

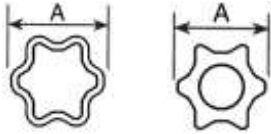
### Shear Bolt Yoke

|  | 540 RPM 1-3/8"<br>6 Spl | 1000 RPM 1-3/8"<br>21 Spl | 540 RPM 1-3/4"<br>6 Spl | 1000 RPM 1-3/4"<br>20 Spl | Torque Capacity |
|---|-------------------------|---------------------------|-------------------------|---------------------------|-----------------|
| Series  | Quick Disconnect        | Quick Disconnect          | Quick Disconnect        | Clamp Yoke                |                 |
| 1   | -                       | -                         | -                       | -                         | -               |
| 2   | -                       | -                         | -                       | -                         | -               |
| 3   | -                       | -                         | -                       | -                         | -               |
| 4   | T4-SB170010             | -                         | -                       | -                         | 1700 Nm         |
| 5   | T5-SB210010             | -                         | -                       | -                         | 2100 Nm         |
| 6   | T6-SB250010             | -                         | -                       | -                         | 2500 Nm         |
| 7   | -                       | -                         | -                       | -                         | -               |
| 7N  | -                       | -                         | -                       | -                         | -               |
| 8   | T8-SB350010             | T8-SB350012               | -                       | T8-SB350017               | 3500 Nm         |



## LEMON AND STAR TUBED PTO DRIVESHAFTS

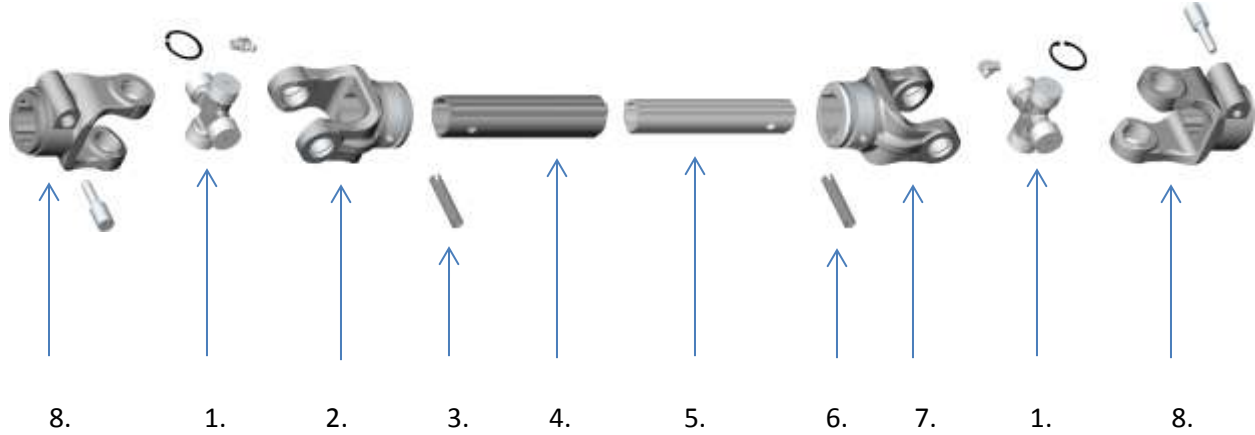
### Technical Data

| SIZE |   |   |          | 540 RPM |        | 1000 RPM |        |
|------|--|--|----------|---------|--------|----------|--------|
|      |  |  |          | HP      | IN. LB | HP       | IN. LB |
| 2100 | 22X54.8  | 30X2.8   | 23.5X3.6 | 16      | 1850   | 24       | 1540   |
| 2200 | 23.8X61.3  | 41X3   | 34.5X4   | 27      | 3140   | 42       | 2610   |
| 2300 | 27X74.6  | 41X3   | 34.5X4   | 38      | 4425   | 60       | 3670   |
| 2400 | 32X76  | 48X4   | 39.5X4.5 | 53      | 6150   | 83       | 5130   |
|      |  |  |          |         |        |          |        |
| 2500 | 36X89  | 61X4.5   | 51X2     | 90      | 10400  | 139      | 8630   |

- Values related to 5 degree joint angels and 1000 hours life.



## Standard Components



|        | 1.              | 2.                 | 3.       | 4.            | 5.           | 6.       | 7.                |
|--------|-----------------|--------------------|----------|---------------|--------------|----------|-------------------|
| Series | Universal Joint | Outboard Tube Yoke | Roll Pin | Outboard Tube | Inboard Tube | Roll Pin | Inboard Tube Yoke |
| L21    | -               | L21-70             | RP0850   | L21-601500    | L21-401500   | RP0850   | L21-30            |
| L22    | T2-00           | L22-70             | RP0860   | L22-601500    | L22-401500   | RP0860   | L22-30            |
| L23    | T4-00           | L23-70             | RP0860   | L23-601500    | L23-401500   | RP0860   | L23-30            |
| L24    | L24-00          | L24-70             | RP1080   | L24-601500    | L24-401500   | RP1070   | L24-30            |
| ST25   | L25-00          | ST25-70            | RP1080   | ST25-601500   | ST25-401500  | RP1080   | ST25-30           |

## Outboard Yokes

|        | 540 RPM 1-3/8" 6 Spl | 1000 RPM 1-3/8" 21 Spl | 540 RPM 1-3/4" 6 Spl | 1000 RPM 1-3/4" 20 Spl |
|--------|----------------------|------------------------|----------------------|------------------------|
| Series | Quick Disconnect     | Quick Disconnect       | Quick Disconnect     | Clamp Yoke             |
| L21    | -                    | -                      | -                    | -                      |
| L22    | T2-1010              | T2-1012                | -                    | -                      |
| L23    | T4-1010              | T4-1012                | -                    | -                      |
| L24    | L24-1010             | L24-1012               | -                    | -                      |
| ST25   | -                    | -                      | -                    | -                      |